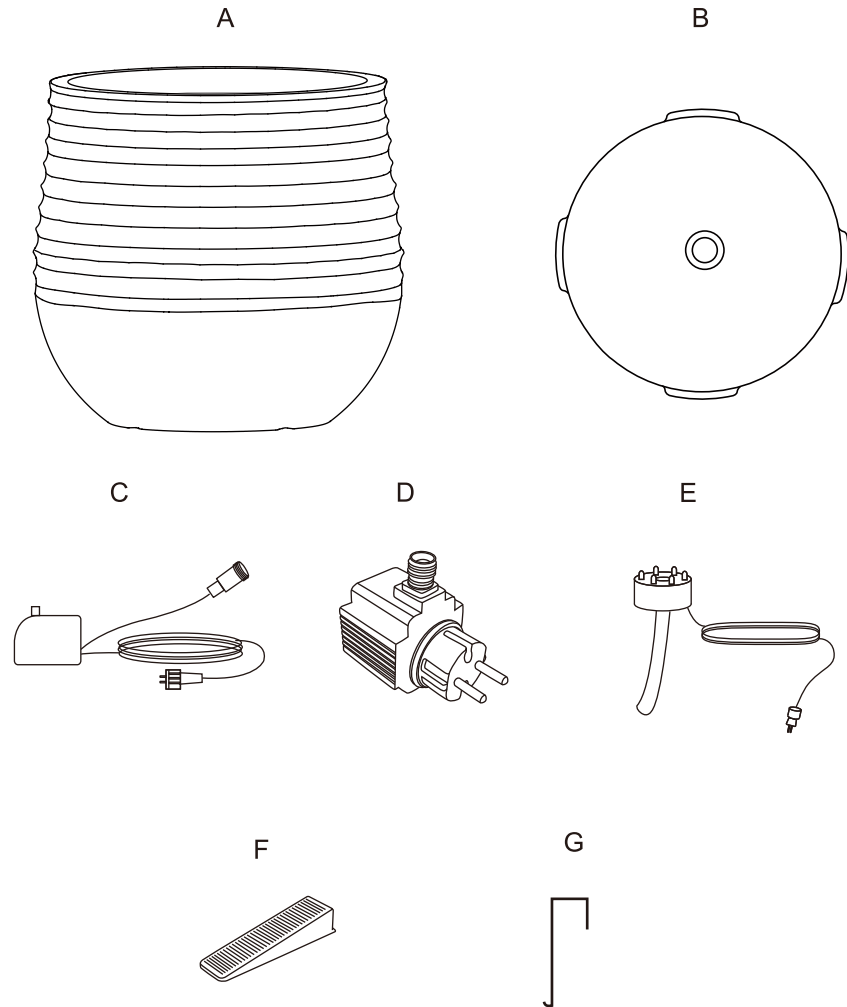


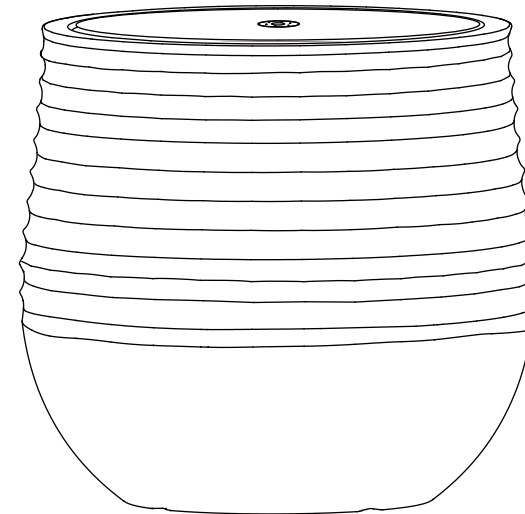
Package contents (parts are not to scale):



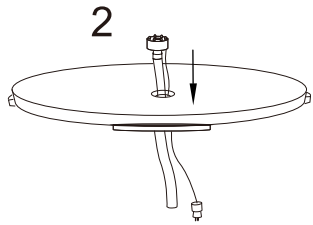
Part	Description	Quantity
A	Fountain	1
B	Plate	1
C	LED light	1
D	Transformer	1
E	Pump	1
F	Plastic pads	3
G	Hardware	1

Lite Water Fountain

Art Nr. 79302-053-49

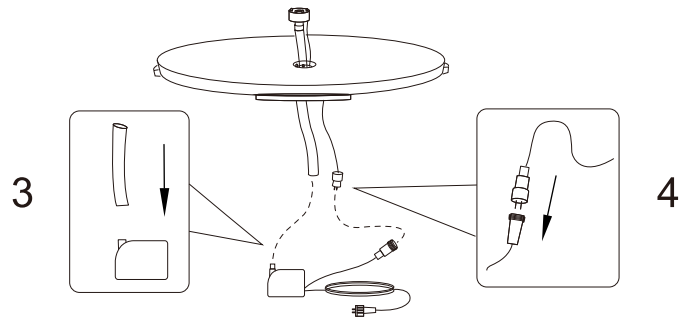


Installation



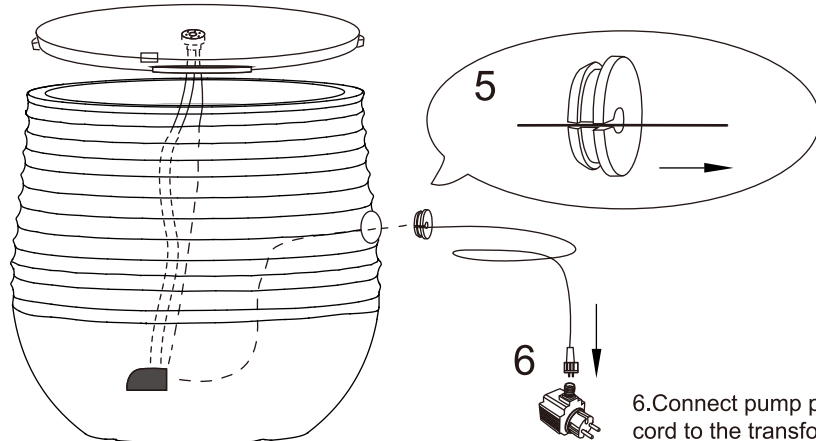
1. Place the fountain on a flat surface;

2. Pass the LED light power cord through the plate from up to down, and connect to the pump

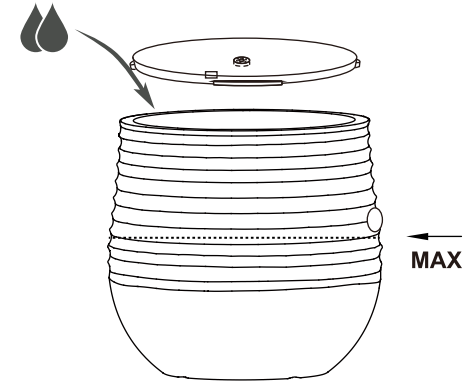


3. Connect one end of hose to the pump

4. Connect the power cord of the pump and LED light tightly

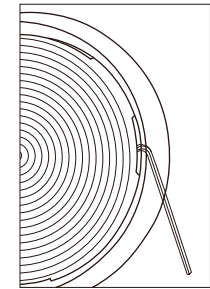


5. Pass the pump power cord through the side hole from inside to outside and put the Hole Cover on.



7. Fill the fountain with enough water to submerge the pump.
Attention: Make sure the water level is lower under the side hole.

8. When installing the plate, be sure to hold it in place and use your thumb to press down the edges so that the plate is horizontally flat.



Friendly reminder: 1. Always disconnect the power before moving or maintaining the fountain.
2. When moving the plate, pull it out using hardware.

WARNING-RISK OF ELECTRIC SHOCK

1. DO NOT use in water intended for swimming, wading, immersion, or bathing.
2. The water must be drained before it get minus degrees
3. Power unit must be supplied by a circuit protected by a ground fault circuit interrupter(GFCI).