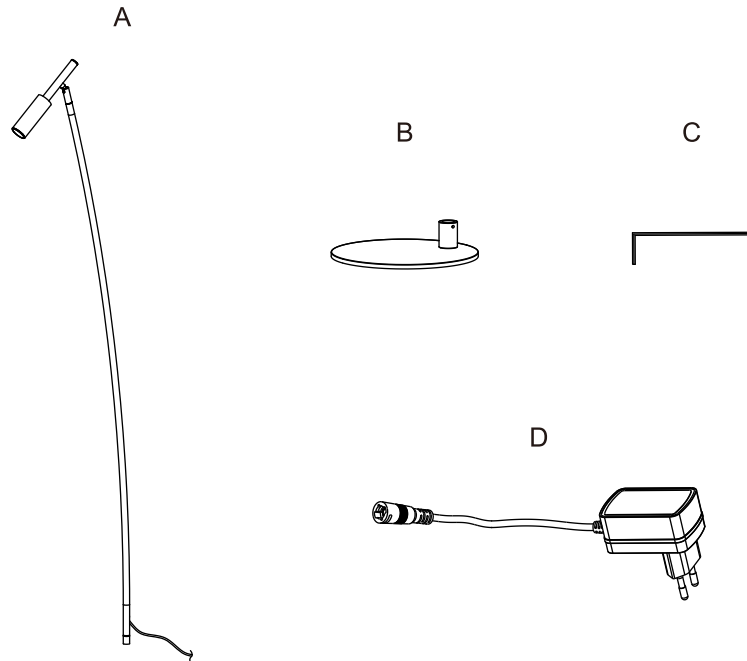


## Package contents (parts are not to scale):



Part	Description	Quantity
A	Fixture body	1
B	Base	1
C	Allen key	1
D	LED driver plug	1

## Light source

**Max. LED 6W 550Lumen 3000K**

**(Lamp gurantee: 3 years)**

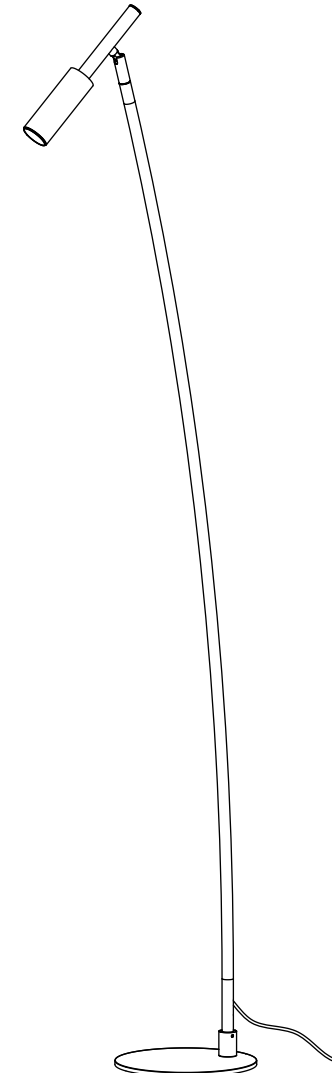
## Care and Cleaning

### EXTERIOR MAINTENANCE

1. To clean the outside of the fixture, use a dry or slightly dampened clean cloth (use clean water, never a solvent) to wipe the surface of the fixture.
2. Do not use any cleaners with chemicals, solvents or harsh abrasives. Use only a dry soft cloth to dust or wipe carefully.

## INTERIOR FLOOR LAMP

Art Nr. 30249-001-71

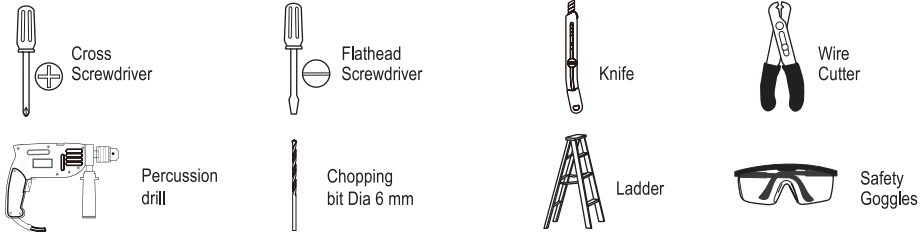


## Pre-Installation

### PLANNING THE INSTALLATION

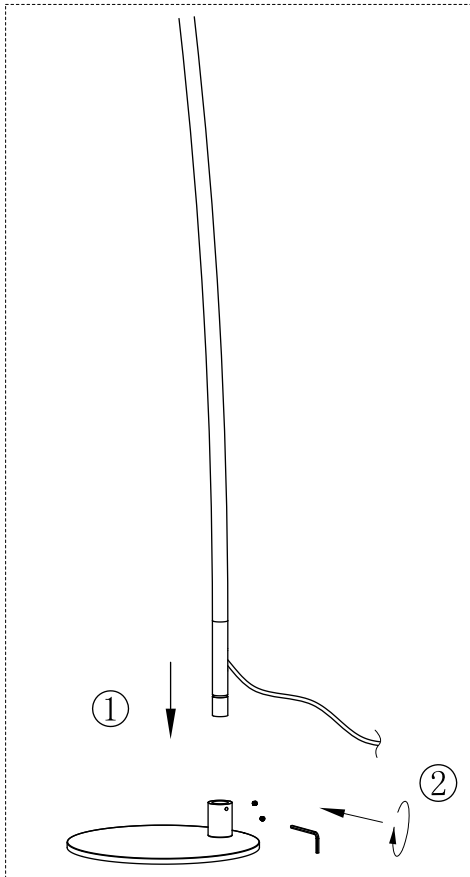
Read all instructions before assembly and installation. Before starting installation of the fixture or removal of a previous fixture, disconnect the power by turning off the circuit breaker or by removing the fuse at the fuse box. To avoid damaging this product, assemble it on a soft, non-abrasive surface such as carpet or cardboard.

### TOOLS REQUIRED

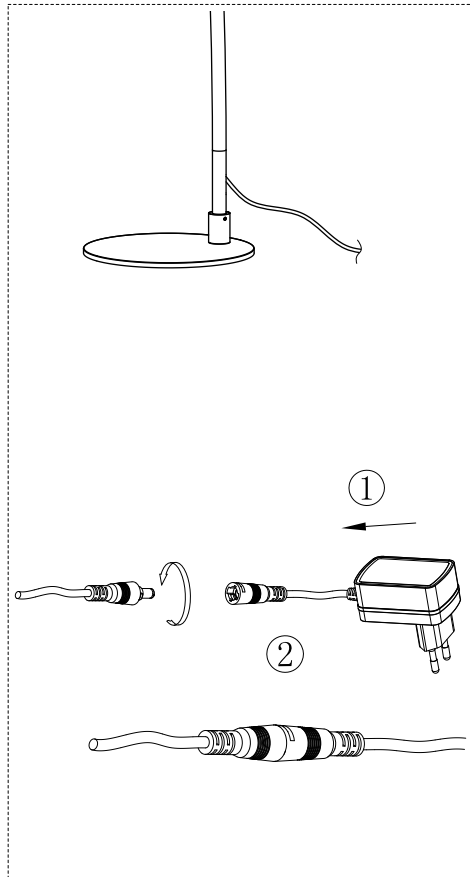


## Installation

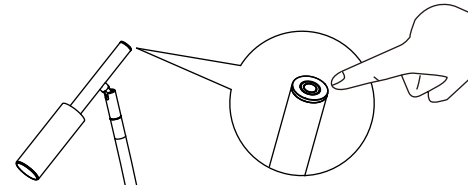
### Step 1.



### Step 2.



## Installation (continued)

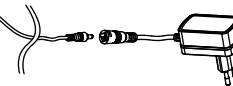


1. Step dimmable: short press 7%-50%-100%-OFF, long press for light off.
2. Every step with Power-off memory

### Step 1.



### Step 2.



## Operation

- Turn on power at the circuit breaker or fuse box.
- Turn the light switch on to activate the fixture.