

SVALA

15668

typ 15668-1

www.aneta.se www.aneta.no

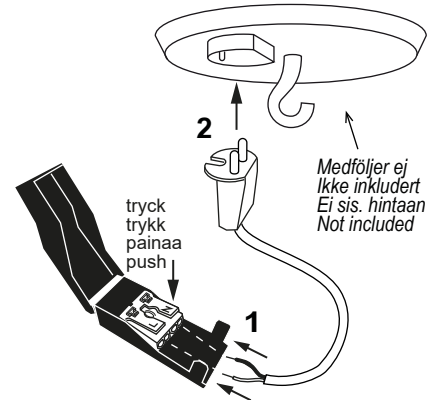
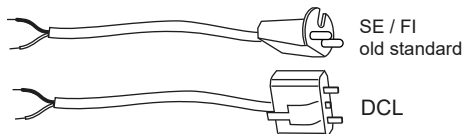
ANETA
LIGHTING

LIGHTS FOR HOME AND WORK SINCE 1947

1 alt. A

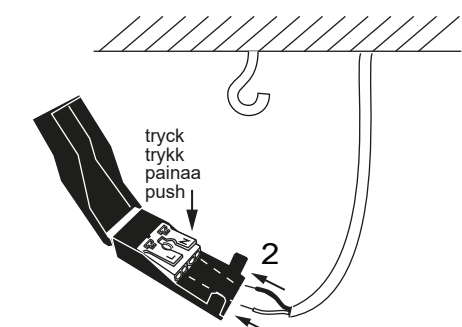
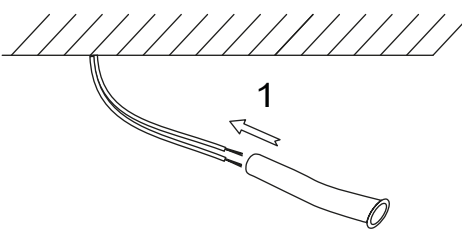
Lamppropp med kabel (medföljer ej)
Lampestøpsel med ledning (ikke inkludert)
Valaisinpistotulppa johdolla (ei sis.)
Lamp plug with cable (not included)

KL.II - ujordet / ojordad / maadoittamaton / unearthed

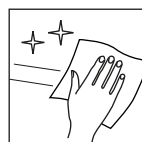
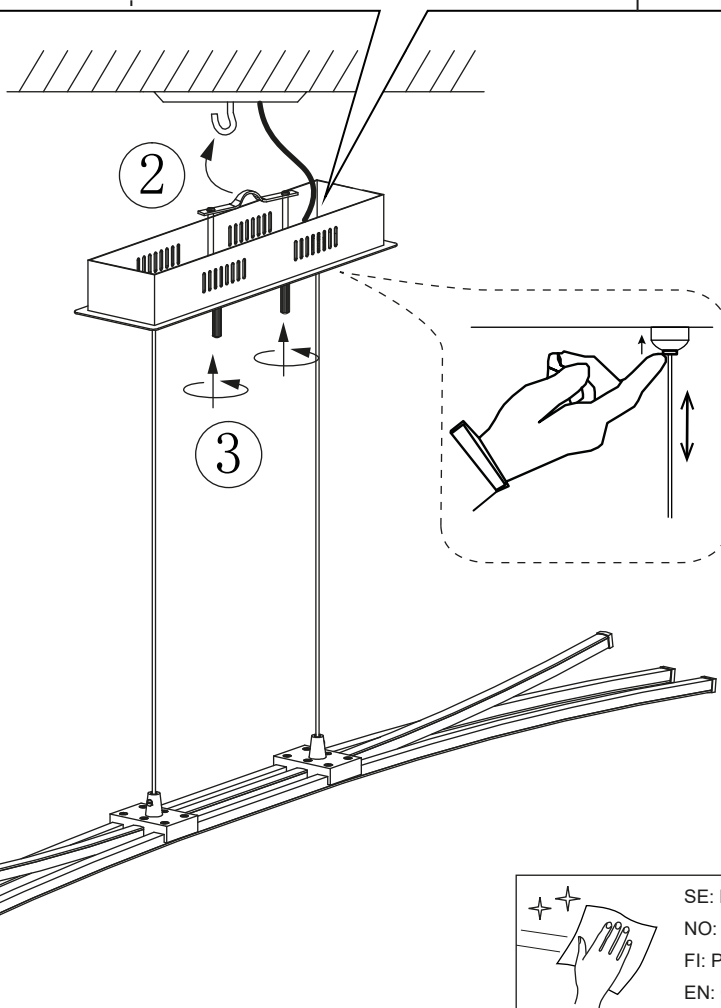
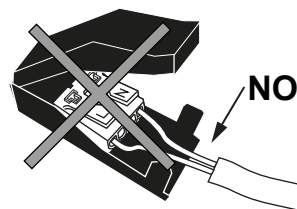
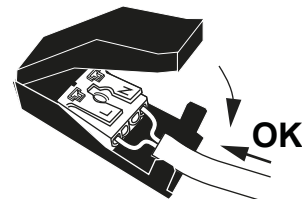


1 alt. B

Inkoppling direkt till strömkablar
Installasjon direkt till strømkabler
Kytetään suoraan
Installation directly to supply cable



2



SE: Rengöring: Torkas med torr trasa.
NO: Rengjøring: Tørkes av med tørr klut.
FI: Puhdistus: Pyyhi kuivalla liinalla.
EN: Cleaning: Wipe with a dry cloth.

SVALA

15668

typ 15668-1

ANETA
LIGHTING
LIGHTS FOR HOME AND WORK SINCE 1947

SE: Denna produkt innehåller tre ljuskällor med energieffektivitetsklass E.

Lysdioden i armaturen är inte utbyttbar, när ljuskällans livstid är slut ska hela armaturen bytas. 50 000 tim ≈ 22 år (6 tim/dag)

NO: Dette produktet inneholder tre lyskilder med energieffektivitetsklasse E.

Diodelyskilden i armaturen er ikke utskiftbar, når lyskildens levetid er slutt skal hele armaturen byttes.
50 000 timer ≈ 22 år (6 timer/dag)

FI: Tämä tuote sisältää kolme valonlähdetä, joiden energiatehokkuusluokka on E.

Valaisimen valolähde ei ole vaihdettavissa. Kun valolähteen elinkaari on loppu niin koko valaisin on vaihdettava.
50 000 tuntia ≈ 22 vuotta (6 t/päivä)

EN: This product contains three light sources of energy efficiency class E.

The diode lamp of this luminaire is not replaceable; when the light source reaches its end of life the whole luminaire shall be replaced. 50 000 h ≈ 22 years (6 h/day)

Light Source (1 pce):

Lighting technology used:	LED	CCT colour temperature:.....	3000 K
Mains or non-mains:	non-mains	On-mode power:	9,5 W
Directional or non-directional:	non-directional	Stand-by power:	0 W
Connected L.S.:	no	Networked standby power:	0 W
Color-tuneable:	no	CRI:	≥ 80
Envelope:	no	R9 color rendering index:	1
High luminance:	no	Chromaticity coordinates:	x:0.439, y:0.401
Anti-glare shield:	no	SDCM:	< 6
Dimmable:	yes	Lifetime $L_{70}B_{50}$:	50 000 hours
Energy consumption in on-mode:	10 kWh / 1000 h	Lumen maintenance factor:	0,95
Energy efficiency class (A-G):	E	Survival factor:	0,90
Useful luminous flux:.....	1235 lm	Supply current:	0.9 A constant current

* The luminous flux stated here is the value for the light source itself in accordance with Regulation (EU) 2019/2015. On the box the luminous flux for the lighting fitting is stated, where the light is partly absorbed by glass/glare shield/shade and parts of the fitting, why it is lower than for the light source.