

ANETA LIGHTING

LIGHTS FOR HOME AND WORK SINCE 1947

KRUMELUR

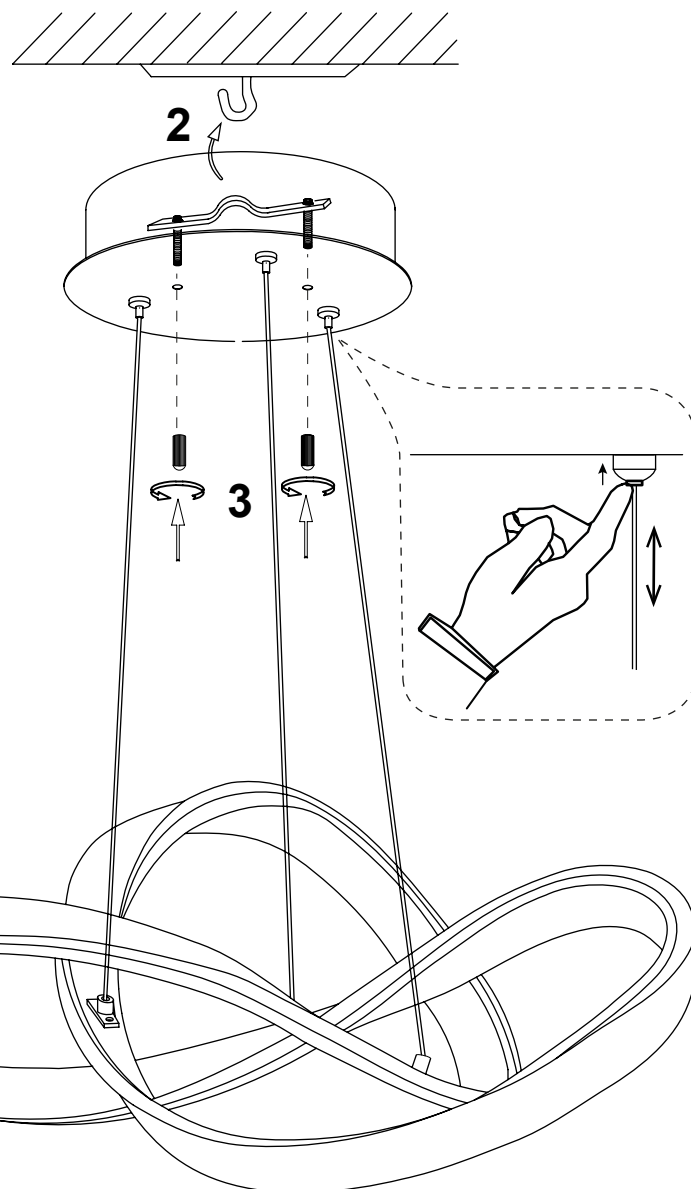
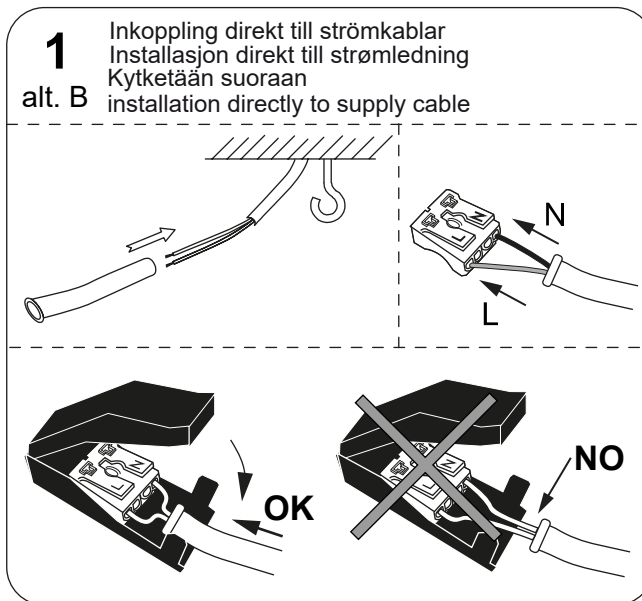
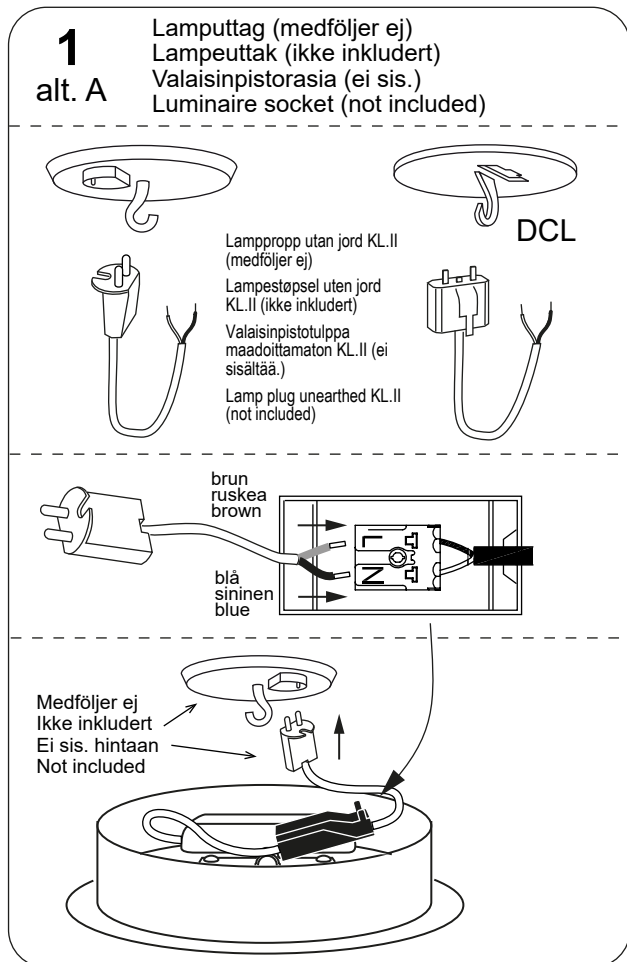
15676

typ 15676-1

www.aneta.se

www.aneta.no

SE: Rengöring:
Torkas med torr trasa.
NO: Rengjøring:
Tørkes av med tørr klut.
FI: Puhdistus:
Pyyhi kuivalla liinalla.
EN: Cleaning:
Wipe with a dry cloth.



SE: Denna produkt innehåller en ljuskälla med energieffektivitetsklass F. Lysdioden i armaturen är inte utbyttbar, när ljuskällans livstid är slut ska hela armaturen bytas. 50 000 tim ≈ 22 år (6 tim/dag)

NO: Dette produktet inneholder en lyskilde med energieffektivitetsklasse F. Diodelyskilden i armaturen er ikke utskiftbar, når lyskildens levetid er slutt skal hele armaturen byttes. 50 000 timer ≈ 22 år (6 timer/dag)

FI: Tämä tuote sisältää valonlähteen, jonka energiatehokkuusluokka on F. Valaisimen valolähde ei ole vaihdettavissa. Kun valolähteen elinkaari on loppu niin koko valaisin on vaihdettava. 50 000 tuntia ≈ 22 vuotta (6 t/päivä)

EN: This product contains a light source of energy efficiency class F. The diode lamp of this luminaire is not replaceable; when the light source reaches its end of life the whole luminaire shall be replaced. 50 000 h ≈ 22 years (6 h/day)

Light Source :

Lighting technology used: LED
Mains or non-mains: non-mains
Directional or non-directional: non-directional
Connected L.S.: no
Color-tuneable: no
Envelope: no
High luminance: no
Anti-glare shield: no
Dimmable: yes
Energy consumption in on-mode: 46 kWh / 1000 h
Energy efficiency class (A-G): F
Useful luminous flux: 3250lm
CCT colour temperature: 3000 K
On-mode power: 46 W
Stand-by power: 0 W
Networked standby power: 0 W
CRI: ≥ 80
R9 color rendering index: -1
Chromaticity coordinates: x:0.440, y:0.403
Lumen maintenance factor: 0.96
Survival factor: 0.90
Measures LxBxH: 2680 x 18 x 1.2 mm
Supply current: 700 mA constant current / 66V

* The luminous flux stated here is the value for the light source itself in accordance with Regulation (EU) 2019/2015. On the box the luminous flux for the lighting fitting is stated, where the light is partly absorbed by glass/glare shield/shade and parts of the fitting, why it is lower than for the light source.