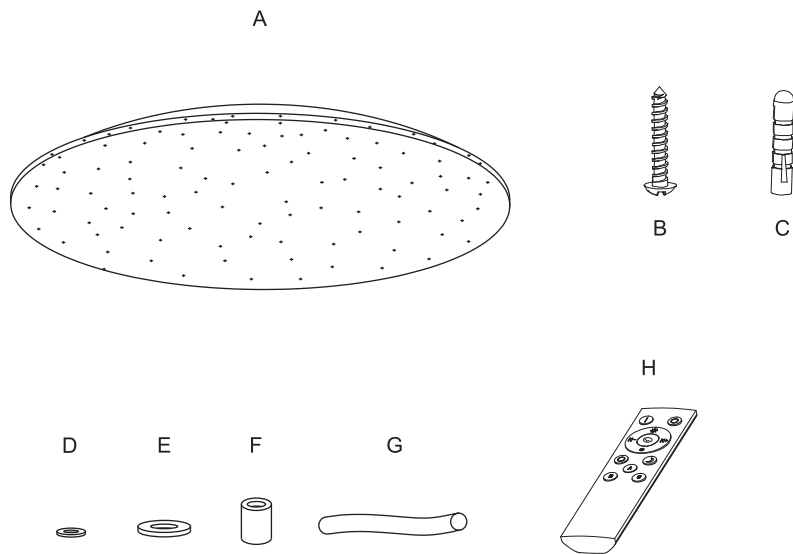


Package contents (parts are not to scale):



Part	Description	Quantity
A	Fixture body	1
B	SS Self-Tapping screw	6
C	Wall expansion particle	6
D	Plain S/S washer	6
E	Silicon washer	6
F	Plastic cylinder (H) 10mm	6
G	Fiber sleeve tube	3
H	Remote control	1

Parameters:

Rated Wattage	Rated Voltage	Color Temperature	Lumen (3000-6500K)	Night light function	IP Class	Dimension
72W	220-240V	3000-6500K	6100LM	YES	IP20	780*780*105mm

Lamp guarantee: 3 years

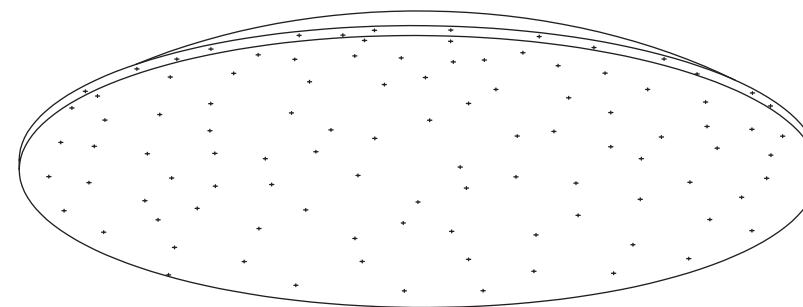
Care and Cleaning

EXTERIOR MAINTENANCE

1. To clean the outside of the fixture, use a dry or slightly dampened clean cloth (use clean water, never a solvent) to wipe the surface of the fixture.
2. Do not use any cleaners with chemicals, solvents or harsh abrasives. Use only a dry soft cloth to dust or wipe carefully.

INTERIOR CEILING LIGHT(IP20)

Art Nr. 57785-078-53

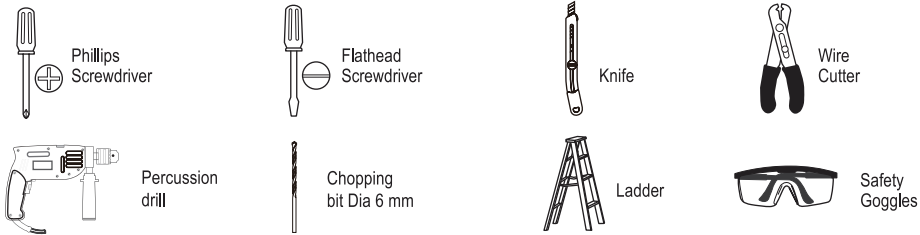


Pre-Installation

PLANNING THE INSTALLATION

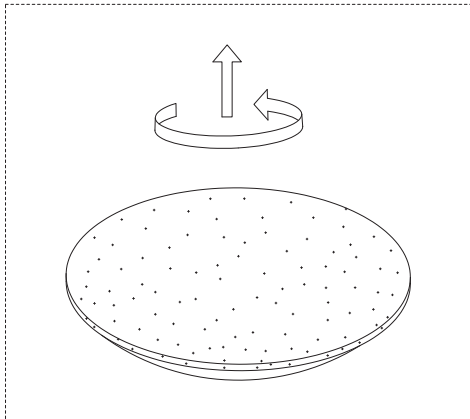
Read all instructions before assembly and installation. Before starting installation of the fixture or removal of a previous fixture, disconnect the power by turning off the circuit breaker or by removing the fuse at the fuse box. To avoid damaging this product, assemble it on a soft, non-abrasive surface such as carpet or cardboard.

TOOLS REQUIRED

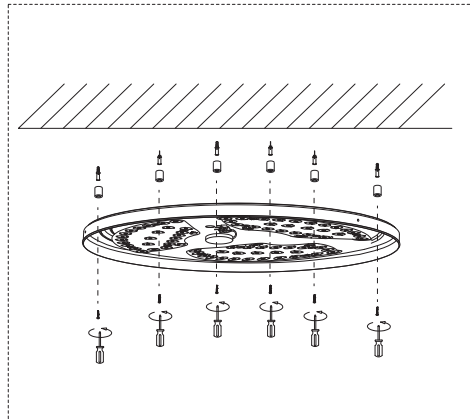


Installation (Make sure to turn off the main power)

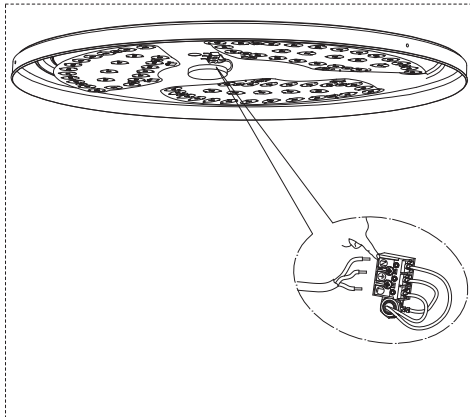
Step 1.



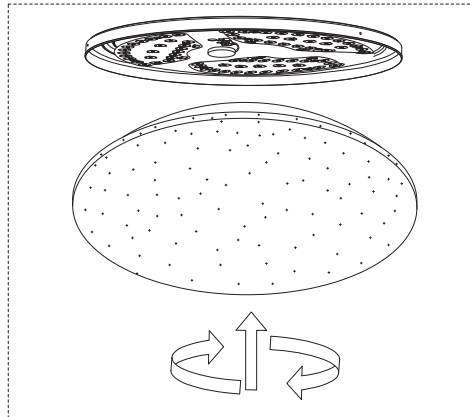
Step 2.



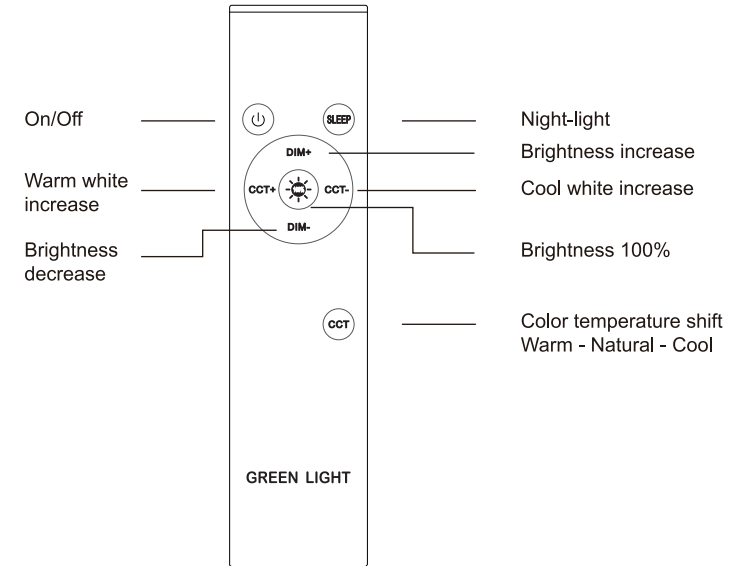
Step 3.



Step 4.

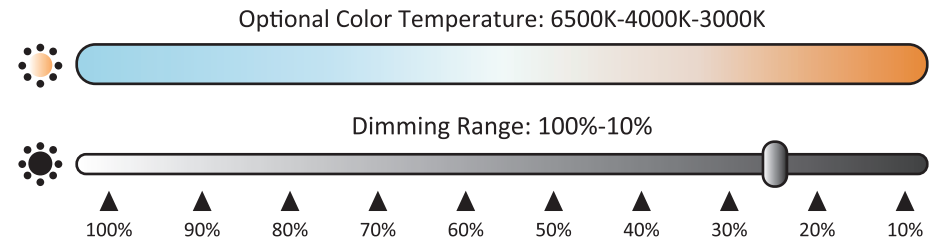


Keyboard function and direction for use



Function

1. Press button "CCT+" or "CCT-" on remote controller, for stepless color temperature dimming between 3000K to 6500K;
2. Press button "CCT" for quick shift to warm light to natural light to cool light.
3. Press button "DIM+" or "DIM-", for stepless lumen dimming between 100% to 10%;
4. Press button "center sun", for quick shift to 100% lumen at the setted kelvin
5. Press button "sleep" for night-light.



Memory function

With memory function, switch OFF 10sec and switch ON, the fixture will remember the last scenario.