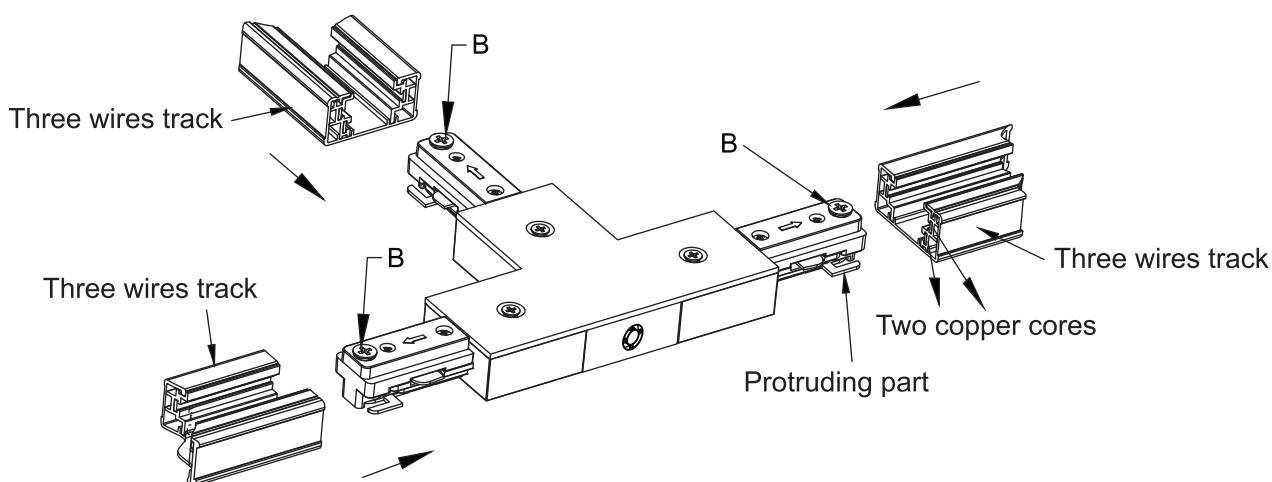


T track rail Connector

Make the side with two copper cores on the same side as the protruding part of the ground wire



Loosen 3 screw-B on the T track rail connector, then insert the three-wire tracks into the connector following the arrow direction, and finally tighten all screw-B.