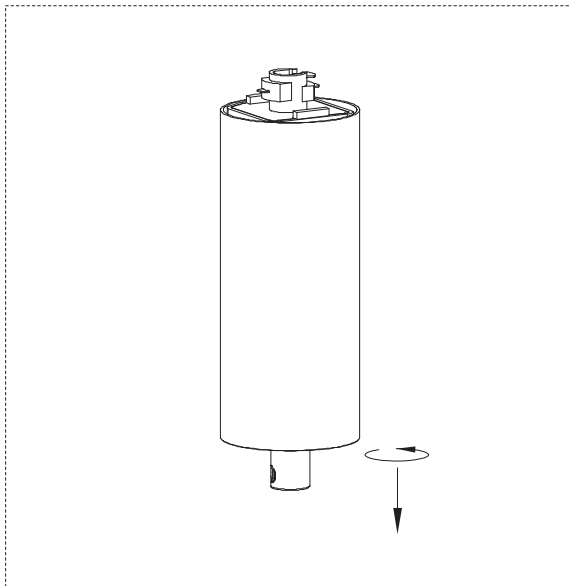


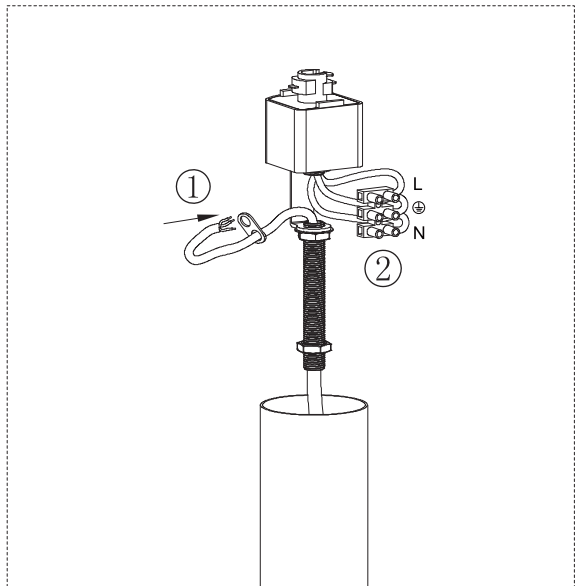
## Pendant Connector

### Installation (Make sure to turn off the main power)

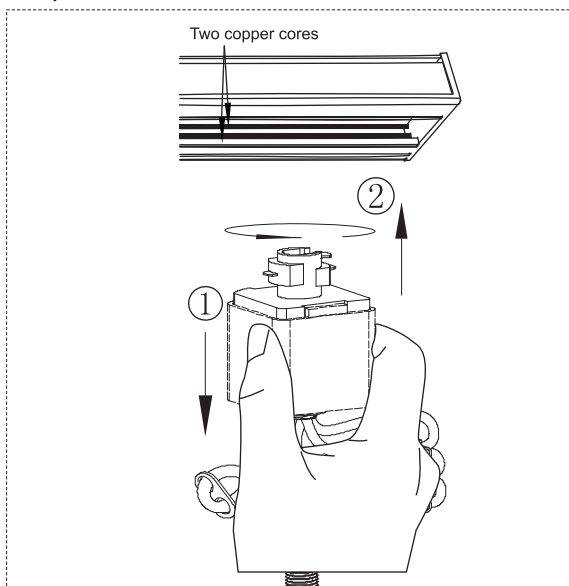
Step 1.



Step 2.



Step 3.



Step 4.

