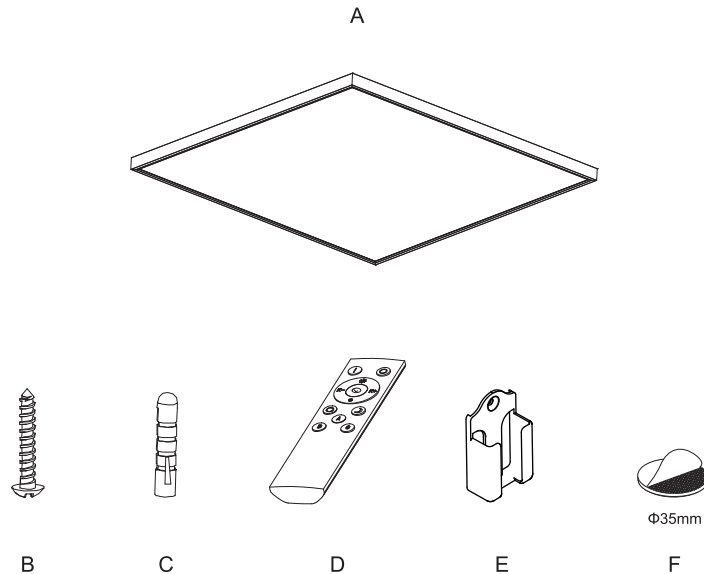


Package contents (parts are not to scale):



Part	Description	Quantity
A	Fixture body	1
B	SS Self-Tapping screw	4
C	Wall expansion particle	4
D	Remote controller	1
E	Remote controller holder	1
F	Double-sided tape	1

Parameters:

Rated Wattage	Rated Voltage	Color Temperature	Lumen (2700 - 6500K)	Life Time	CRI	IP Class	Dimension
13W	220-240V	2700-6500K	1170LM	30000H	>80	IP20	295*295*23mm

Lamp gurantee: 5 years

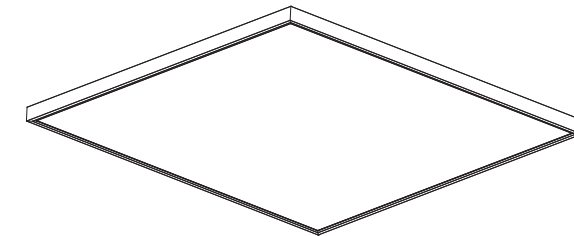
Care and Cleaning

EXTERIOR MAINTENANCE

1. To clean the outside of the fixture, use a dry or slightly dampened clean cloth (use clean water, never a solvent) to wipe the surface of the fixture.
2. Do not use any cleaners with chemicals, solvents or harsh abrasives. Use only a dry soft cloth to dust or wipe carefully.

INTERIOR CEILING LIGHT

Art Nr. 57782-030-53



www.lampehuset.no

Warning:

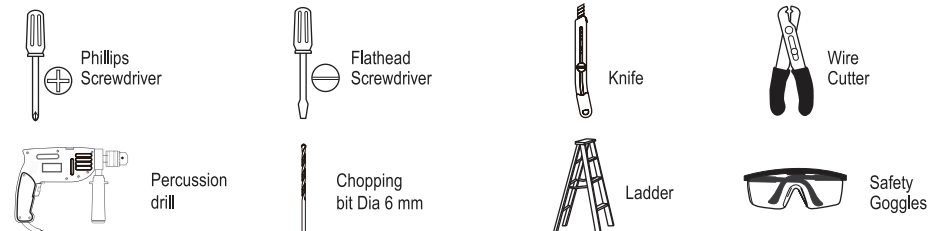
- 1) Only for indoor use, protecting from high magnetic, voltage and thunder surrounding.
- 2) Correct wiring, and securely installed.
- 3) Only use in rated voltage.
- 4) Cut off the power source before connect the wires.
- 5) Should not be installed without valid documents
- 6) Please ask for help from professional electrician when installation
- 7) If the external flexible cable or cord of this luminaire is damaged, it shall be exclusively replaced by the manufacturer or his service agent or a similar qualified person in order to avoid a hazard.
- 8) Must be installed to ensure the lamp unit or the driver (if supplied) are not covered with any combustibile materials or insulation

Pre-Installation

PLANNING THE INSTALLATION

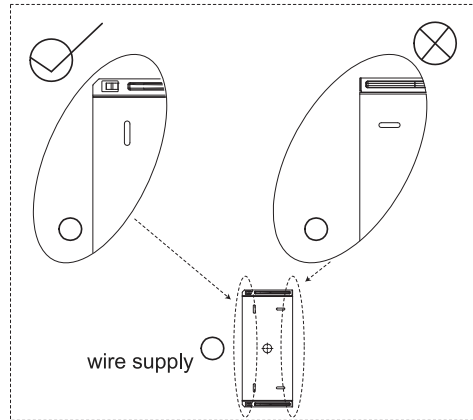
Read all instructions before assembly and installation. Before starting installation of the fixture or removal of a previous fixture, disconnect the power by turning off the circuit breaker or by removing the fuse at the fuse box. To avoid damaging this product, assemble it on a soft, non-abrasive surface such as carpet or cardboard.

TOOLS REQUIRED

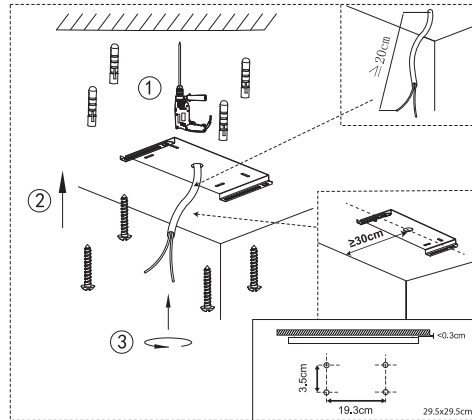


Installation solution A: (Make sure to turn off the main power)

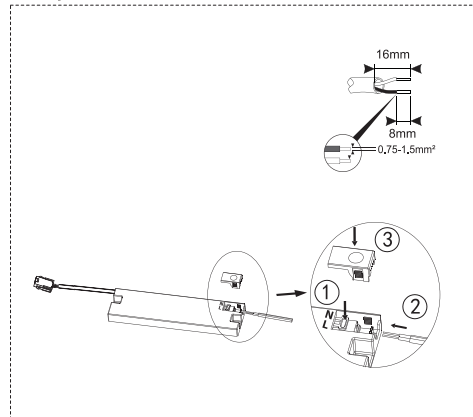
Step 1.



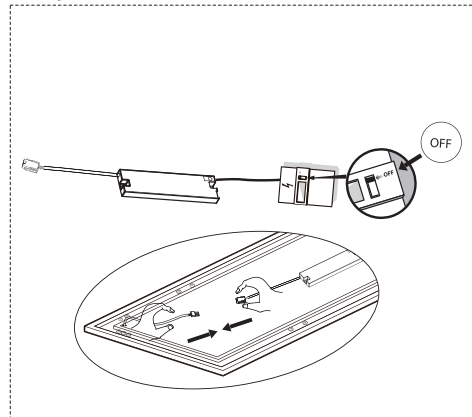
Step 2.



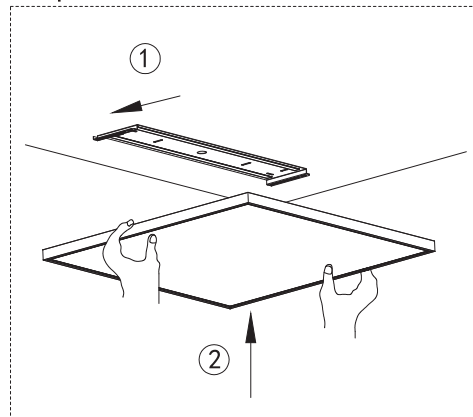
Step 3.



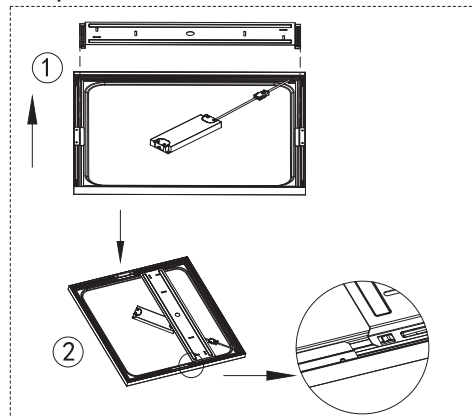
Step 4.



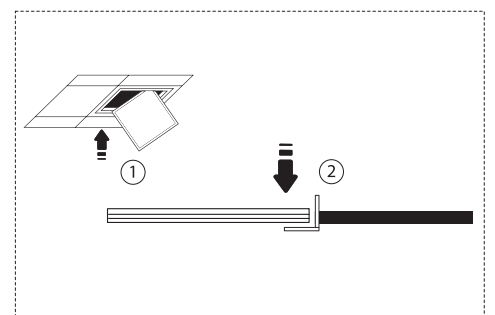
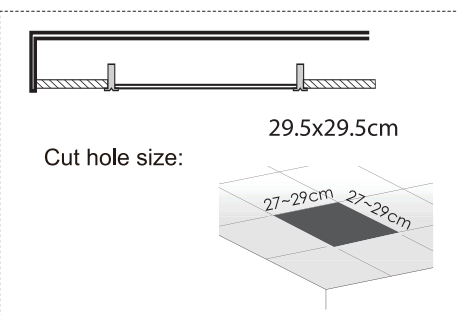
Step 5.



Step 6.



Installation solution B: (Make sure to turn off the main power)



Remote controller instructions:

