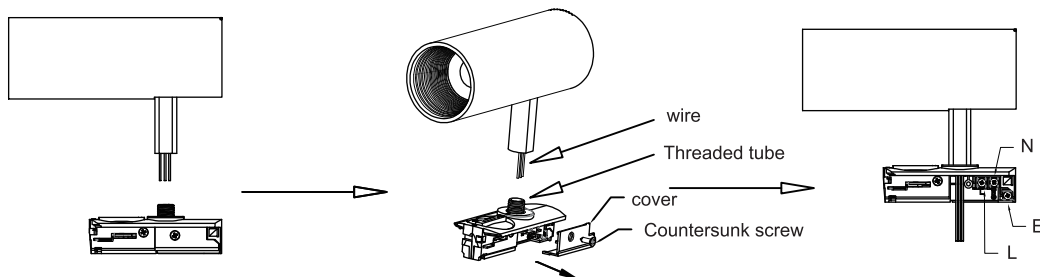


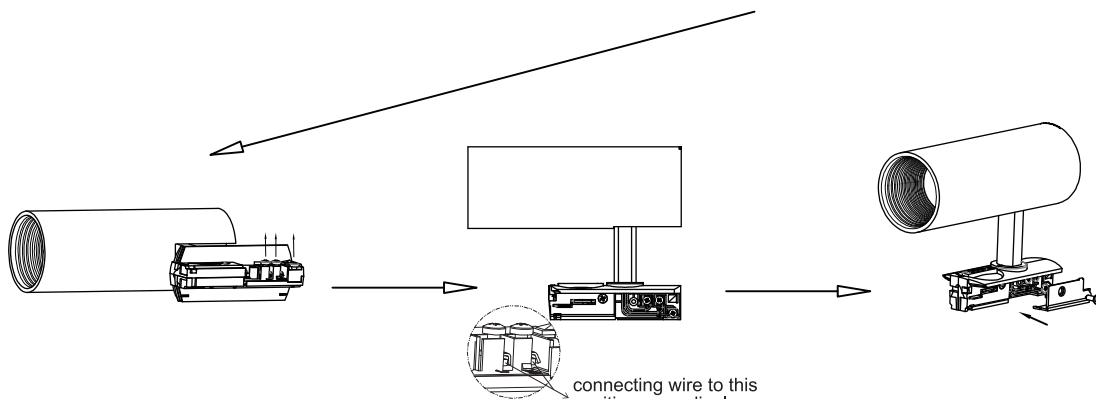
ART NR. 50427-000-53, 50427-000-71



1. Prepare the fixture & necessary accessories ready to fit the Track-spot-pendel-feste 50427-000-53 /50427-000-71. The following is an example for assembly, it is applicable to spot light or pendel but not limited to the illustrated item.

2. Unfasten the countersunk screw to open the cover, put the wire of fixture through the threaded tube to the connection of Track-spot-pendel-feste.

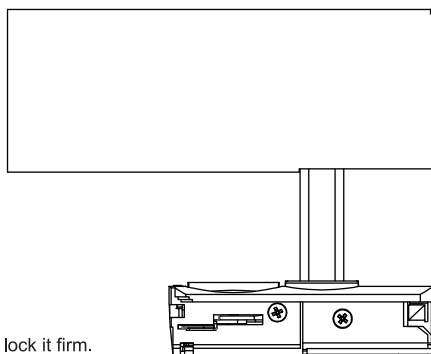
3. Fix the fixture firm onto the Track-spot-pendel-feste, divide the L E N wire.



4. Unfasten the L E N screws half on the Track-spot-pendel-feste but not take out the screws,

5. Put the L E N wire of the fixture into the L E N screws of the Track-spot-pendel-feste accordingly & fasten firm.

6. put the cover on & fasten the countersunk screw to complete the fixture assembly.



7. Snap the fixture onto the track & lock it firm.