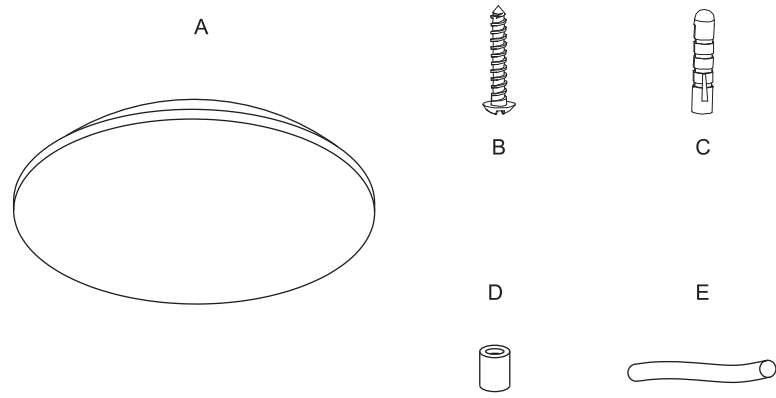


Package contents (parts are not to scale):



Part	Description	Quantity
A	Fixture body	1
B	SS Self-Tapping screw	2
C	Wall expansion particle	2
D	Plastic cylinder (H) 8mm	2
E	Fiber sleeve	2

Parameters:

Rated Wattage	Rated Voltage	Color Temperature	Lumen	Lamp gurantee	IP Class	Dimenesion
10W	220-240V	3000K	830M	3 years	IP20	250*250*50mm

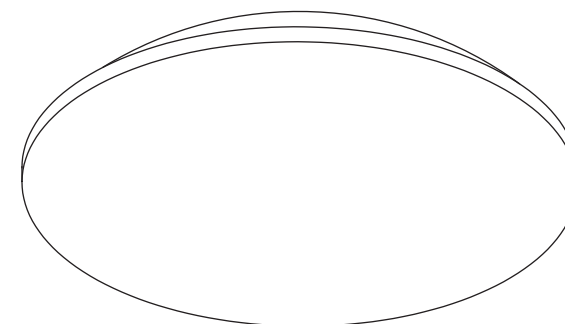
Care and Cleaning

EXTERIOR MAINTENANCE

1. To clean the outside of the fixture, use a dry or slightly dampened clean cloth (use clean water, never a solvent) to wipe the surface of the fixture.
2. Do not use any cleaners with chemicals, solvents or harsh abrasives. Use only a dry soft cloth to dust or wipe carefully.

INTERIOR CEILING LIGHT(IP20)

Art Nr. 57639-025-53

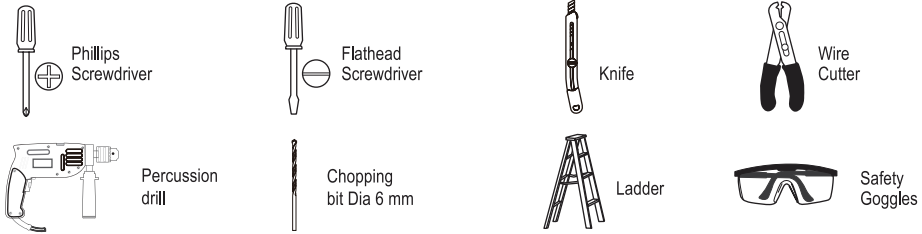


Pre-Installation

PLANNING THE INSTALLATION

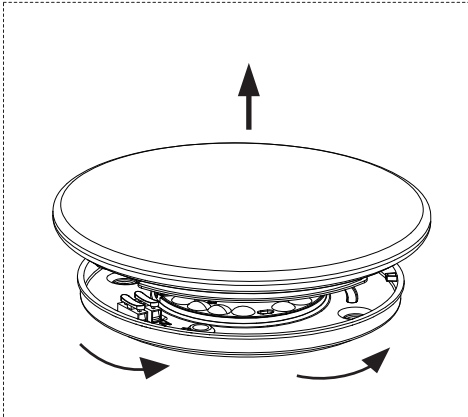
Read all instructions before assembly and installation. Before starting installation of the fixture or removal of a previous fixture, disconnect the power by turning off the circuit breaker or by removing the fuse at the fuse box. To avoid damaging this product, assemble it on a soft, non-abrasive surface such as carpet or cardboard.

TOOLS REQUIRED

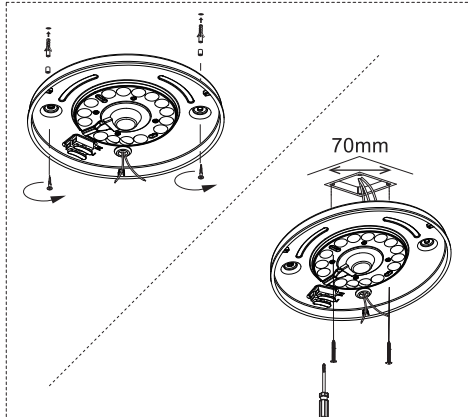


Installation (Make sure to turn off the main power)

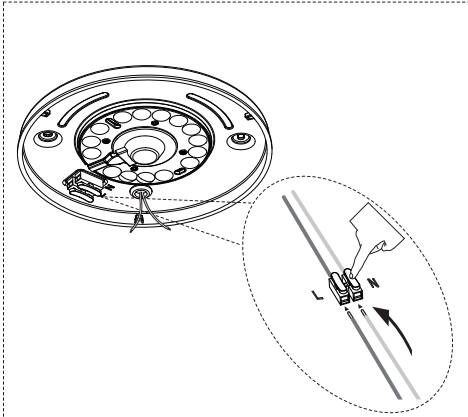
Step 1.



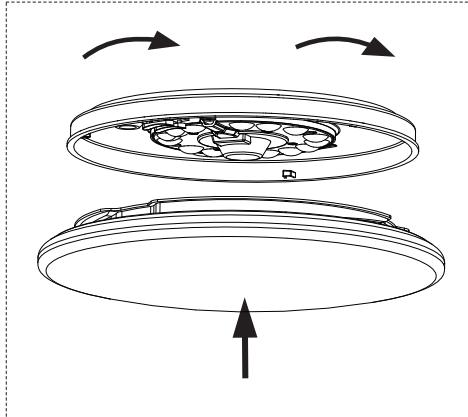
Step 2.



Step 3.



Step 4.



Installation (continued)

