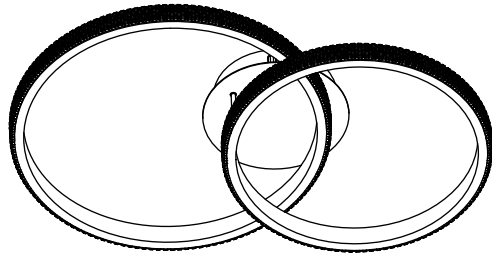


Package contents (parts are not to scale):

A



B



C

Part	Description	Quantity
A	Light fixture	1
B	Wall expansion particle	2
C	Self-Tapping screw	2

Light source

(Sandy black) Max. LED 28W 1200Lumen 3000K (Dimmable)

(Sandy white) Max. LED 28W 1830Lumen 3000K (Dimmable)

(Lamp gurantee: 3 years)

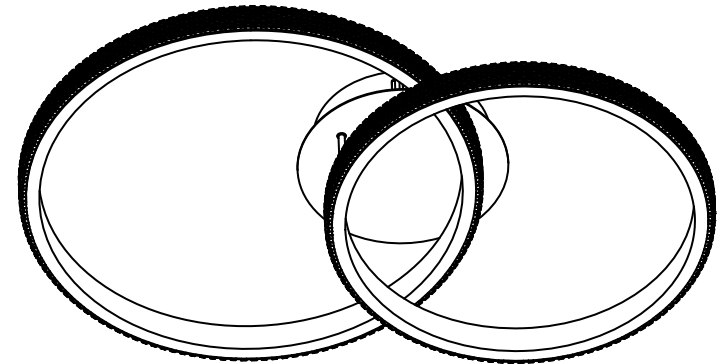
Care and Cleaning

EXTERIOR MAINTENANCE

1. To clean the outside of the fixture, use a dry or slightly dampened clean cloth (use clean water, never a solvent) to wipe the surface of the fixture.
2. Do not use any cleaners with chemicals, solvents or harsh abrasives. Use only a dry soft cloth to dust or wipe carefully.

CEILING LAMP

Art Nr. 57589-062-71,57638-062-53

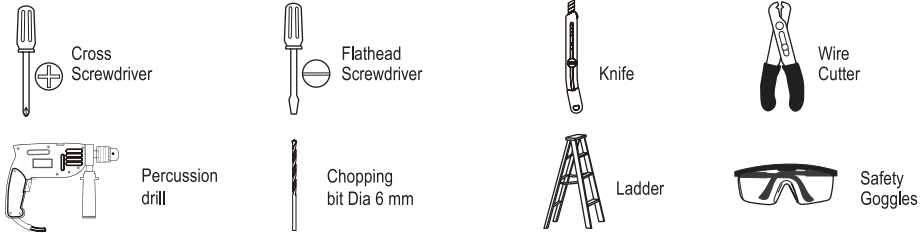


Pre-Installation

PLANNING THE INSTALLATION

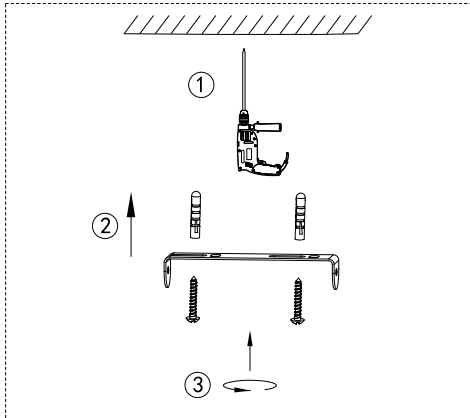
Read all instructions before assembly and installation. Before starting installation of the fixture or removal of a previous fixture, disconnect the power by turning off the circuit breaker or by removing the fuse at the fuse box. To avoid damaging this product, assemble it on a soft, non-abrasive surface such as carpet or cardboard.

TOOLS REQUIRED

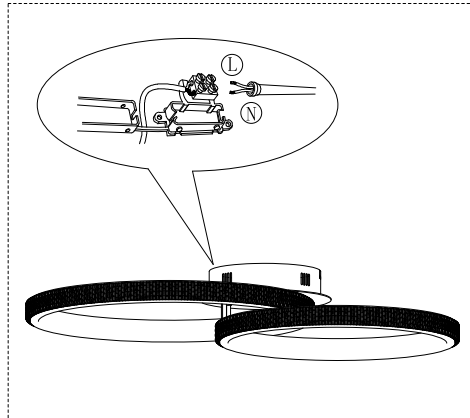


Installation (Make sure to turn off the main power)

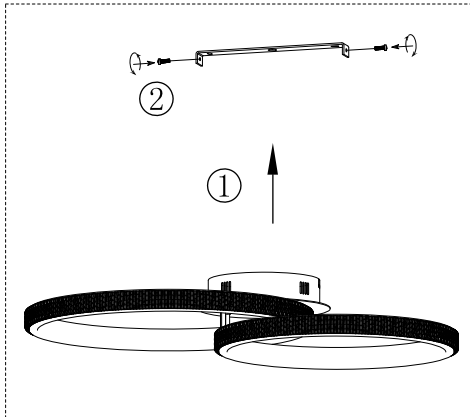
Step 1.



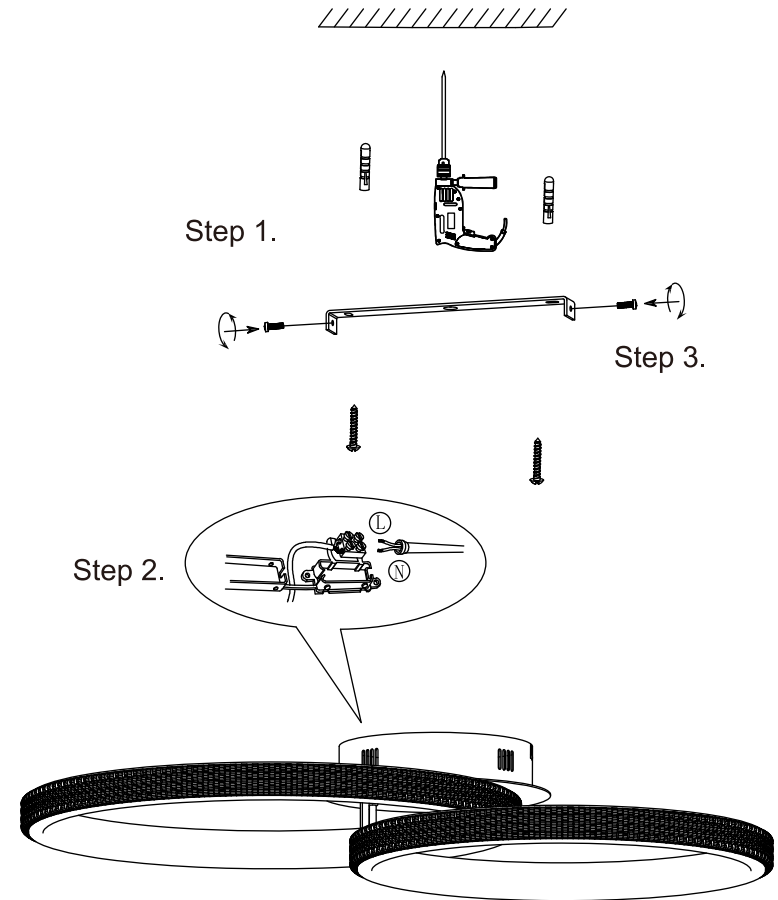
Step 2.



Step 3.



Installation (continued)



Operation

- Turn on power at the circuit breaker or fuse box.
- Turn the light switch on to activate the fixture.