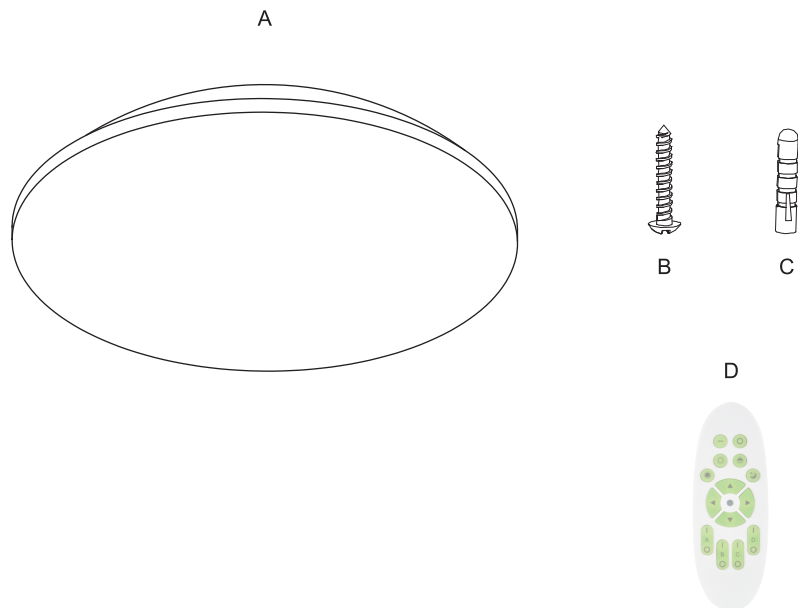


## Package contents (parts are not to scale):



Part	Description	Quantity
A	Fixture body	1
B	SS Self-Tapping screw	4
C	Wall expansion particle	4
D	Remote control	1

## Parameters:

Rated Wattage	Rated Voltage	Color Temperature	Lumen (3000 - 6500K)	Night light function	IP Class	Dimension
36-60W	220-240V	3000-6500K	4300LM	YES	IP20	580*580*70mm

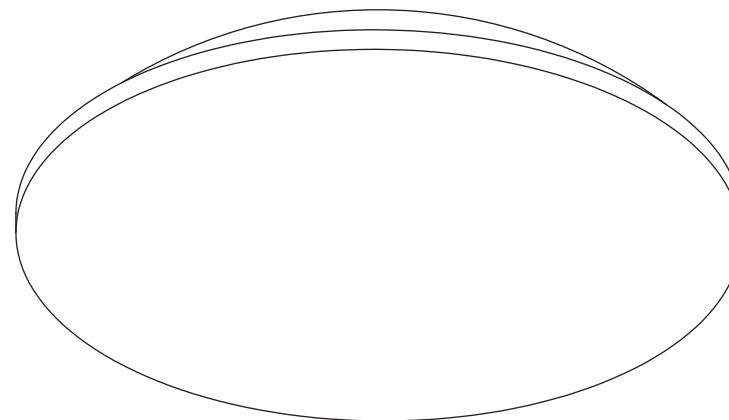
## Care and Cleaning

### EXTERIOR MAINTENANCE

1. To clean the outside of the fixture, use a dry or slightly dampened clean cloth (use clean water, never a solvent) to wipe the surface of the fixture.
2. Do not use any cleaners with chemicals, solvents or harsh abrasives. Use only a dry soft cloth to dust or wipe carefully.

## INTERIOR CEILING LIGHT(IP20)

Art Nr. 57592-060-53

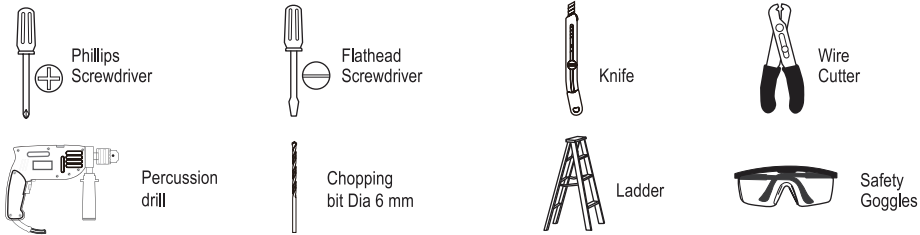


## Pre-Installation

### PLANNING THE INSTALLATION

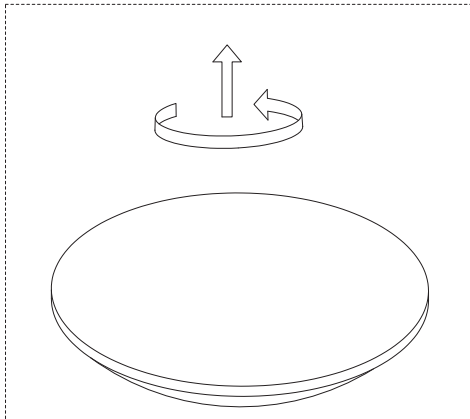
Read all instructions before assembly and installation. Before starting installation of the fixture or removal of a previous fixture, disconnect the power by turning off the circuit breaker or by removing the fuse at the fuse box. To avoid damaging this product, assemble it on a soft, non-abrasive surface such as carpet or cardboard.

### TOOLS REQUIRED

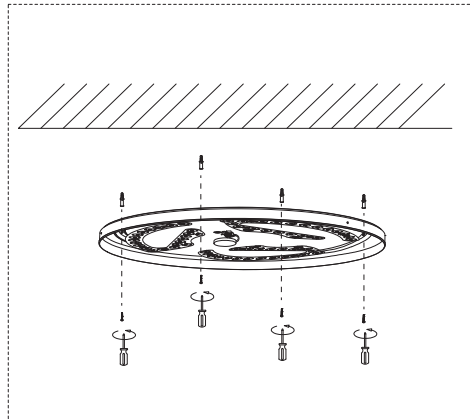


## Installation (Make sure to turn off the main power)

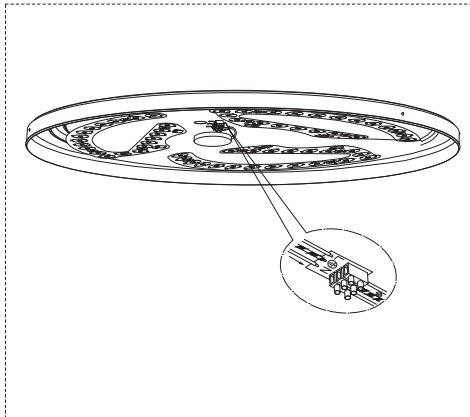
### Step 1.



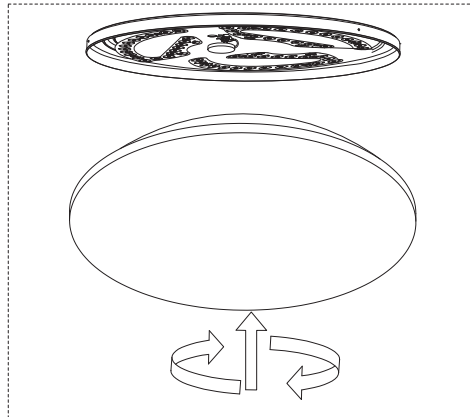
### Step 2.



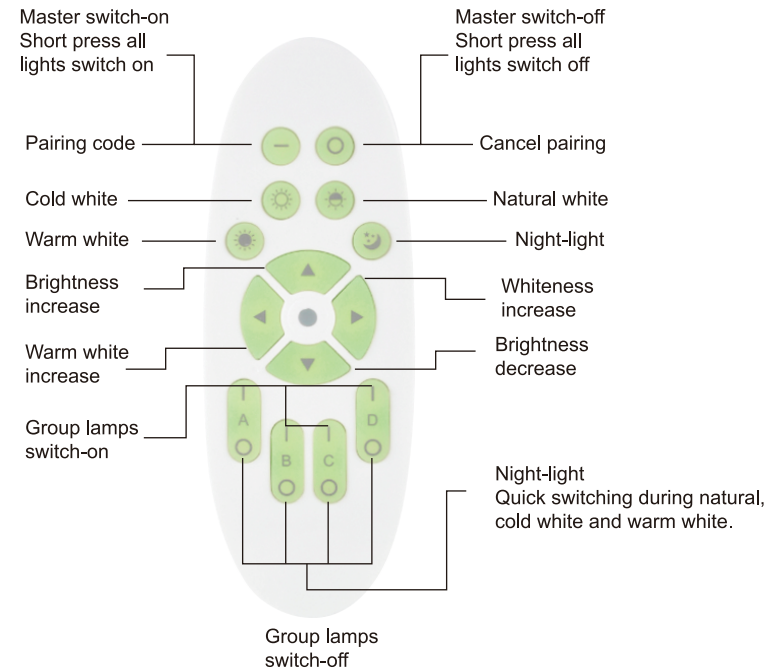
### Step 3.



### Step 4.



## Keyboard function and direction for use



### Code Pairing

Switch off the lamp required pairing, after 3s, long press of Master switch-on, meanwhile, switch on the lamp, it succeeds when lamp in flashing.

At this time, the lamps in pairing success will be controlled by the Master switch.

Pairing Cancel

Switch off the lamp required pairing cancel, after 3s, long press of Master switch-off, meanwhile, switch on the lamp it succeeds when lamp in flashing.

### Group build up

Turn on the group lights, long press of Group lights switch-on, the group lamps are controlled by the group switch or Master switch, it succeeds when lamps in flashing.

### Group disband

Turn on the group lamps required disband, long press of Group lights switch-off, the lamps are controlled by the Master switch, it succeeds when lamps in flashing.

### Save settings to memory

Turn on the light, set the favorite brightness and color temperature by this remote control, after 10s, turn off the light by this remote control or wall switch, then the setting is memorized. The light will turn on in this setting next time.

### Warning

the lamp dimmer and CCT change only can control by Remote control, cant change by wall switcher.