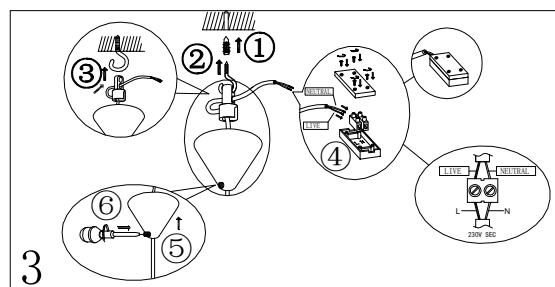
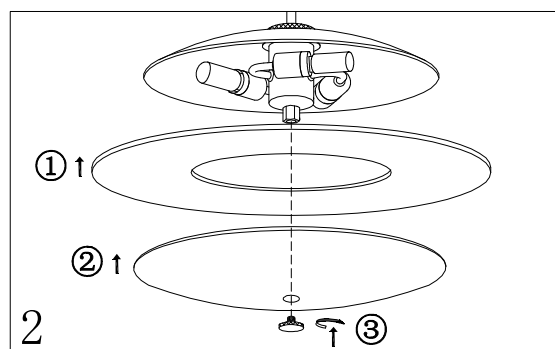
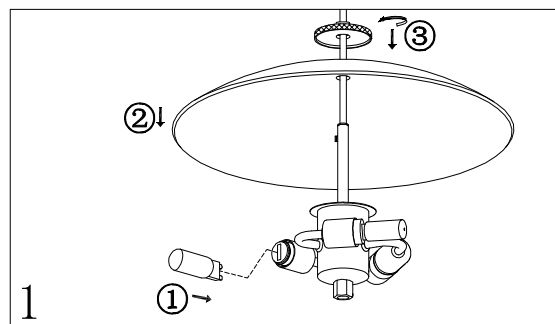
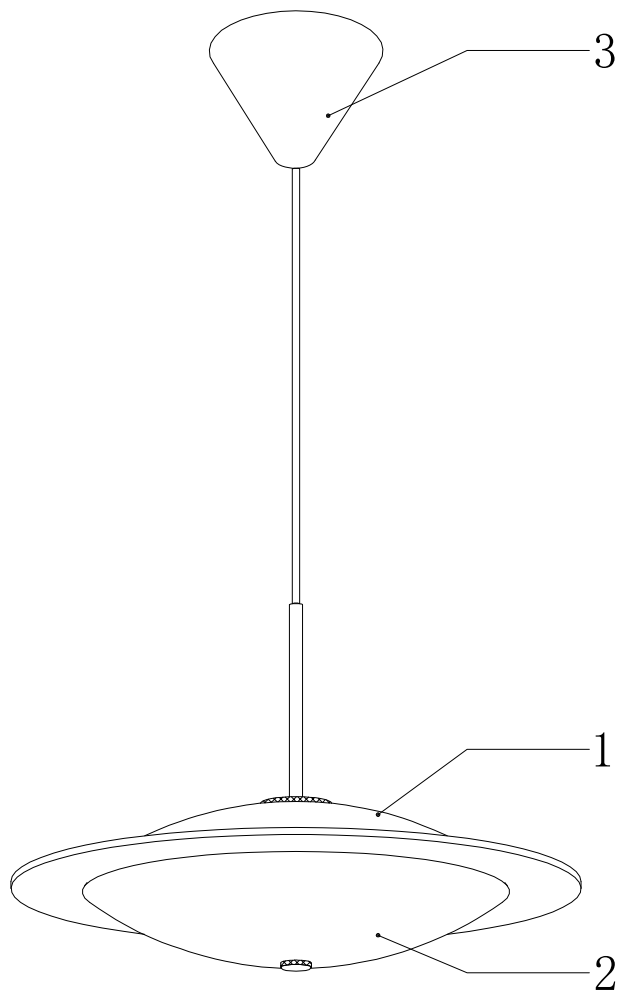


INSTRUCTION MANUAL

Model: Orbit pendel Ø40

halo
design
COPENHAGEN



INSTRUCTION MANUAL

- 1 Follow the instruction sketch.
- 2 Make sure power is OFF on the outlet, before beginning the installation.
- 3 Insert the light bulb.
- 4 Go through point 1 to 3 before connecting the lamp to the power.

230V.3xG9 .MAX LED 7W



Orbit pendel ϕ 40 (HT21002L-1-40) 说明书 (A4单面)
07-SMOR-000-002

31-98

日期: 2021-9-16

编制: 杨振洪

审核: