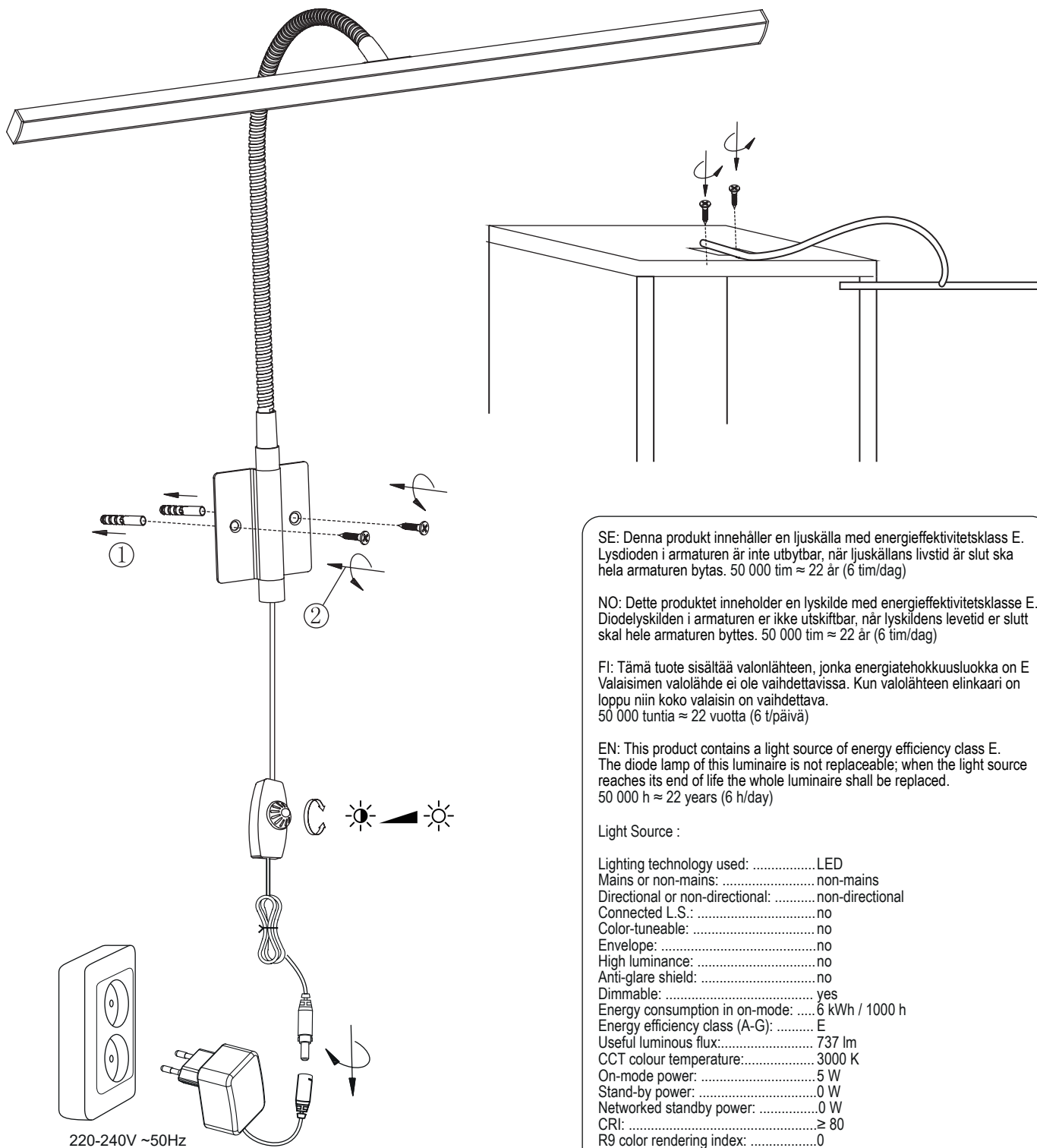


MIRO
10910

ANETA LIGHTING

LIGHTS FOR HOME AND WORK SINCE 1947



SE: Denna produkt innehåller en ljuskälla med energieffektivitetsklass E. Lysdioden i armaturen är inte utbyttbar, när ljuskällans livstid är slut ska hela armaturen bytas. 50 000 tim ≈ 22 år (6 tim/dag)

NO: Dette produktet inneholder en lyskilde med energieffektivitetsklasse E. Diodelyskilden i armaturen er ikke utskiftbar, når lyskildens levetid er slutt skal hele armaturen byttes. 50 000 tim ≈ 22 år (6 tim/dag)

FI: Tämä tuote sisältää valonlähteen, jonka energiatehokkuusluokka on E. Valaisimen valolähde ei ole vaihdettava. Kun valonlähteen elinkaari on loppu niin koko valaisin on vaihdettava. 50 000 tuntia ≈ 22 vuotta (6 t/päivä)

EN: This product contains a light source of energy efficiency class E. The diode lamp of this luminaire is not replaceable; when the light source reaches its end of life the whole luminaire shall be replaced. 50 000 h ≈ 22 years (6 h/day)

Light Source :

Lighting technology used: LED
 Mains or non-mains: non-mains
 Directional or non-directional: non-directional
 Connected L.S.: no
 Color-tuneable: no
 Envelope: no
 High luminance: no
 Anti-glare shield: no
 Dimmable: yes
 Energy consumption in on-mode: 6 kWh / 1000 h
 Energy efficiency class (A-G): E
 Useful luminous flux: 737 lm
 CCT colour temperature: 3000 K
 On-mode power: 5 W
 Stand-by power: 0 W
 Networked standby power: 0 W
 CRI: ≥ 80
 R9 color rendering index: 0
 Chromaticity coordinates: x:0.401, y:0.411
 SDCM: < 6
 Lifetime L₇₀B₅₀: 50 000 hours
 Lumen maintenance factor: 0.96
 Survival factor: 0.90
 Measures LxBxH: mm
 Supply current: 430 mA

* The luminous flux stated here is the value for the light source itself in accordance with Regulation (EU) 2019/2015. On the box the luminous flux for the lighting fitting is stated, where the light is partly absorbed by glass/glare shield/shade and parts of the fitting, why it is lower than for the light source.