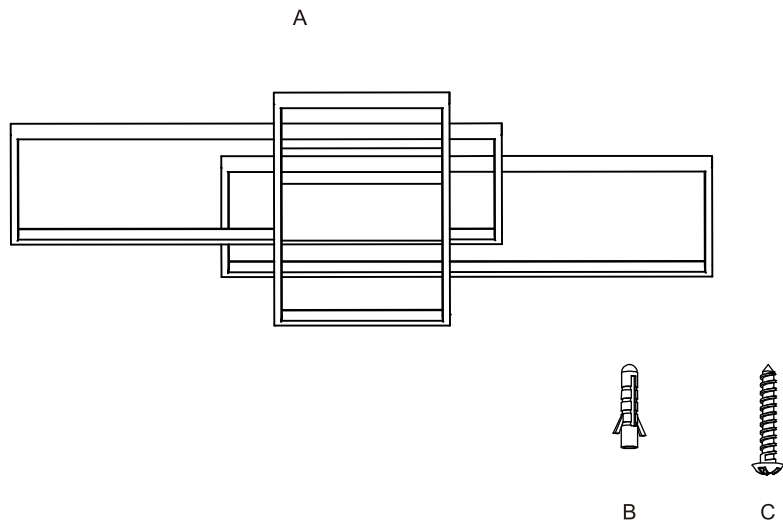


Package contents (parts are not to scale):



Part	Description	Quantity
A	Light fixture	1
B	Wall expansion particle	2
C	Self-Tapping screw	2

Light source

Max. LED 50W 1630Lumen 3000K (Dimmable)

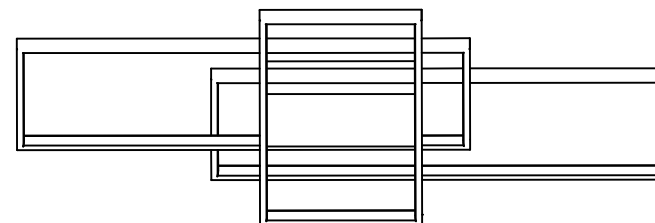
Care and Cleaning

EXTERIOR MAINTENANCE

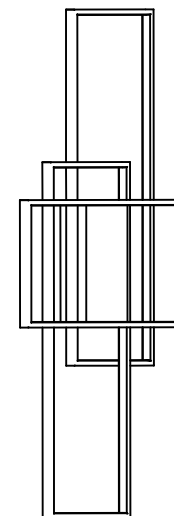
1. To clean the outside of the fixture, use a dry or slightly dampened clean cloth (use clean water, never a solvent) to wipe the surface of the fixture.
2. Do not use any cleaners with chemicals, solvents or harsh abrasives. Use only a dry soft cloth to dust or wipe carefully.

CEILING LAMP/WALL LAMP

Art Nr. 57629-100-71



CEILING



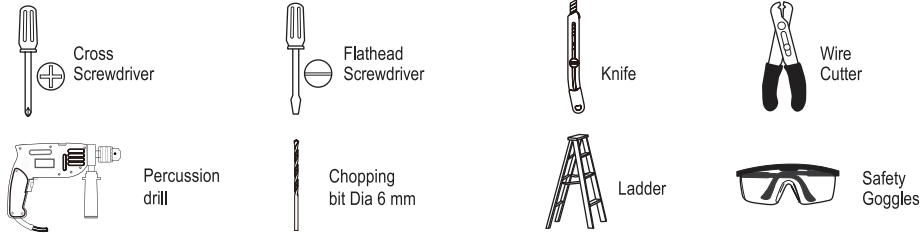
WALL

Pre-Installation

PLANNING THE INSTALLATION

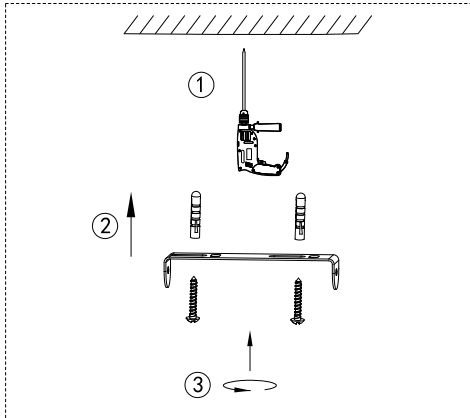
Read all instructions before assembly and installation. Before starting installation of the fixture or removal of a previous fixture, disconnect the power by turning off the circuit breaker or by removing the fuse at the fuse box. To avoid damaging this product, assemble it on a soft, non-abrasive surface such as carpet or cardboard.

TOOLS REQUIRED

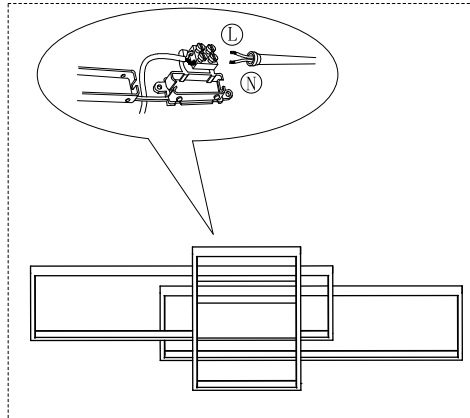


Installation (Make sure to turn off the main power)

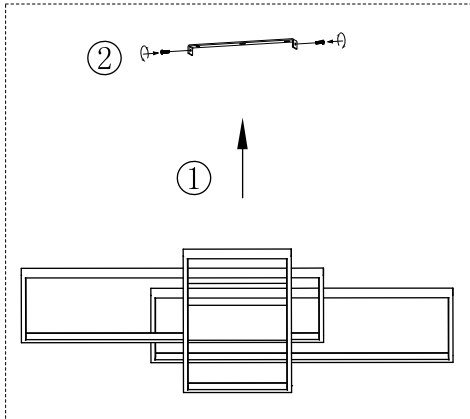
Step 1.



Step 2.

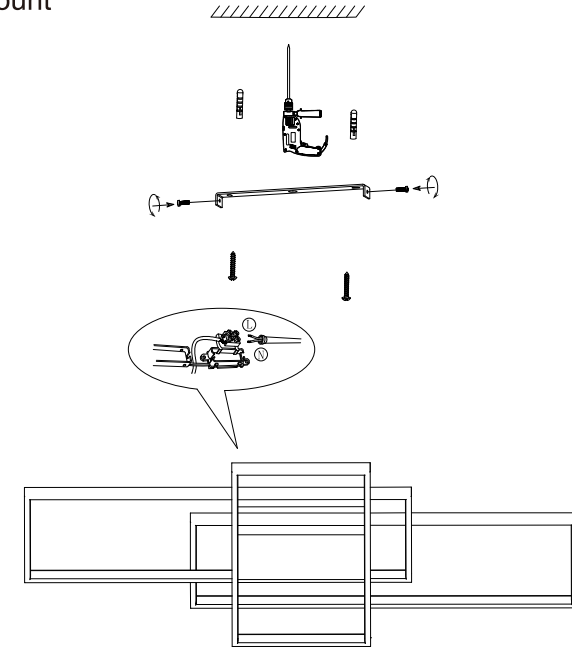


Step 3.

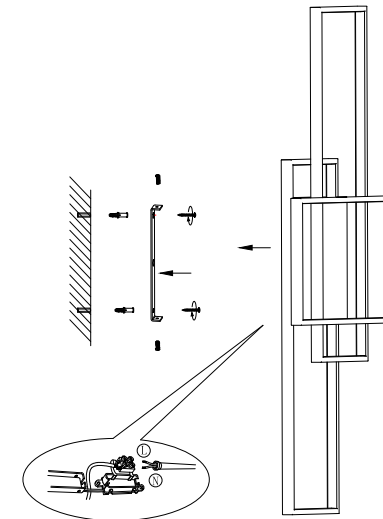


Installation Option

For ceiling mount



For wall mount



Operation

- Turn on power at the circuit breaker or fuse box.
- Turn the light switch on to activate the fixture.