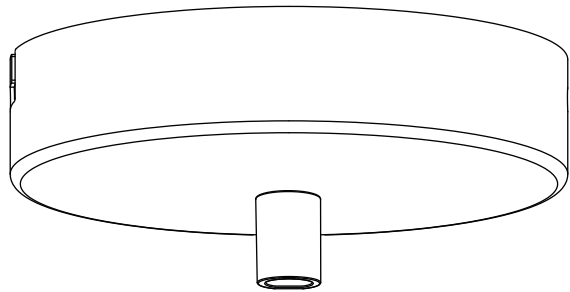


Art Nr. 19267-009-71, 19267-009-53



Pre-Installation

PLANNING THE INSTALLATION

Read all instructions before assembly and installation. Before starting installation of the fixture or removal of a previous fixture, disconnect the power by turning off the circuit breaker or by removing the fuse at the fuse box. To avoid damaging this product, assemble it on a soft, non-abrasive surface such as carpet or cardboard.

TOOLS REQUIRED



Phillips
Screwdriver



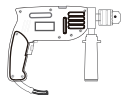
Flathead
Screwdriver



Knife



Wire
Cutter



Percussion
drill



Chopping
bit Dia 6 mm



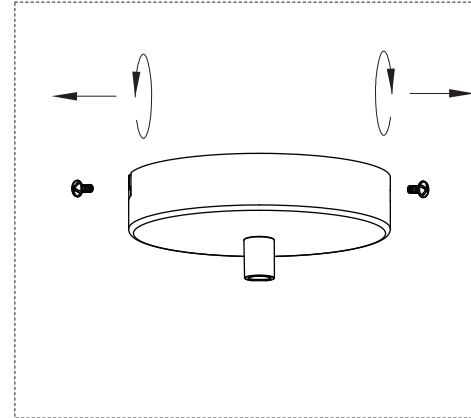
Ladder



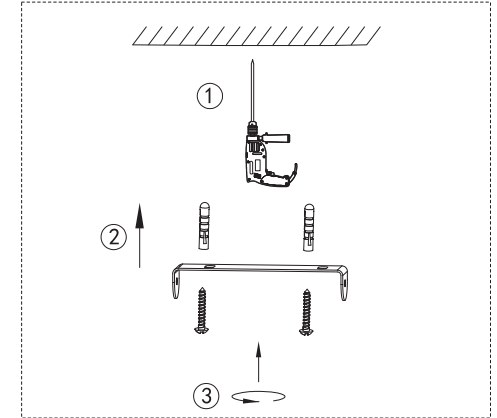
Safety
Goggles

Installation (Make sure to turn off the main power)

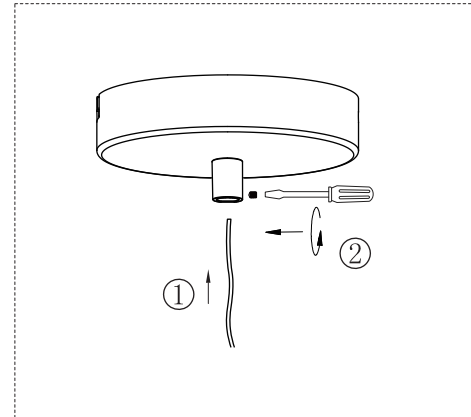
Step 1.



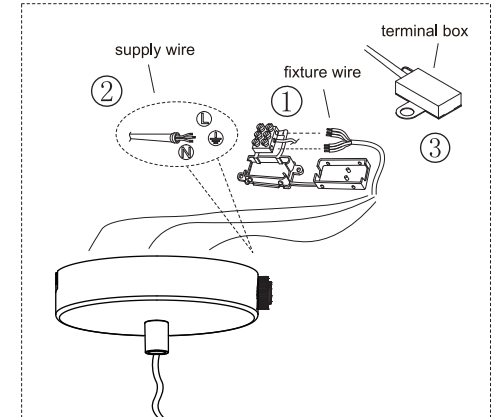
Step 2.



Step 3.



Step 4.



Step 5.

