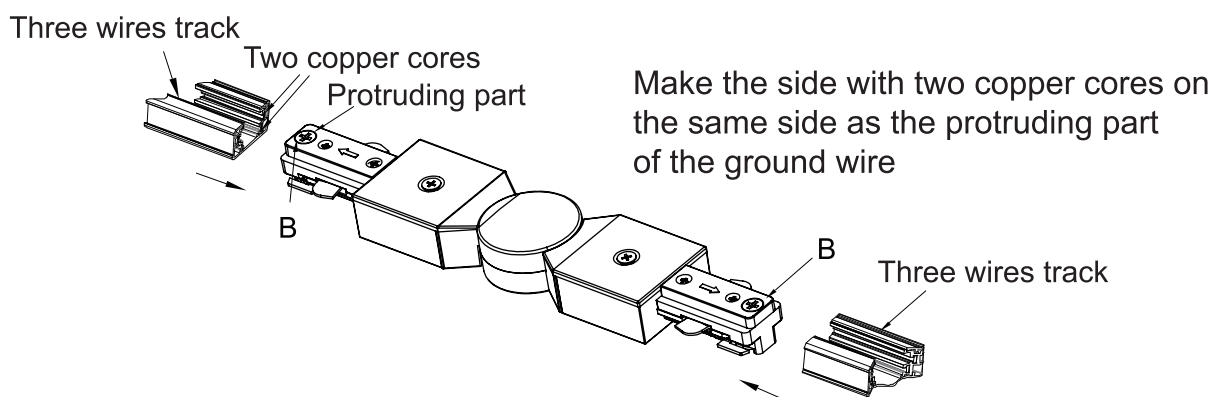


Three-wires Angle Connector



Loosen the 2 screws B on the three-wire angle connector first, then insert the three-wire tracks into the connector in the direction of the arrow, and finally tighten the screws B