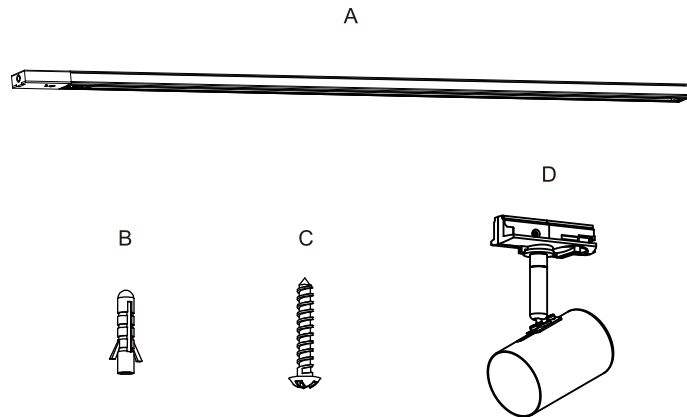


Package contents (parts are not to scale):



Part	Description	Quantity
A	Light track 1.0 M	1
B	Wall expansion particle	2
C	Self-Tapping screw	2
D	Spot light	3

Light source

Max 230V GU10 3 x 25W (not include)
Recommend LED bulb

Reference

Max load for 1.0M light track: 5 KGS
Max wattage for 1.0M light track: 1000W 8A

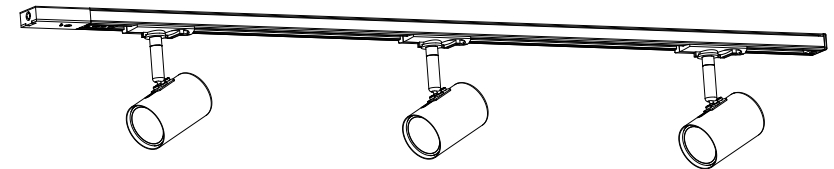
Care and Cleaning

EXTERIOR MAINTENANCE

1. To clean the outside of the fixture, use a dry or slightly dampened clean cloth (use clean water, never a solvent) to wipe the surface of the fixture.
2. Do not use any cleaners with chemicals, solvents or harsh abrasives. Use only a dry soft cloth to dust or wipe carefully.

INTERIOR TRACK LIGHT

Art Nr. 50421-003-53,50421-003-71



www.lampehuset.no

CAUTION:

NO:

Advarsel:

-Bruk kun pærer som anvist etiketten på lampen.

-Slå av lampen før bytting av pære og vent til pæren er avkjølt. Vis forsiktighet ved berøring av lampen når den er tent. Den kan være varm.

SE:

Varning:

-Använd endast glödlampor enligt anvisningar på lampans etikett.

-Stäng av lampan innan du byter glödlampa och vänta tills lampan har svalnat. Var särskilt försiktig vid berøring av lampan när den är tänd. Det kan vara varmt.

English:

Warning:

-Only use bulbs as directed on the label on the lamp.

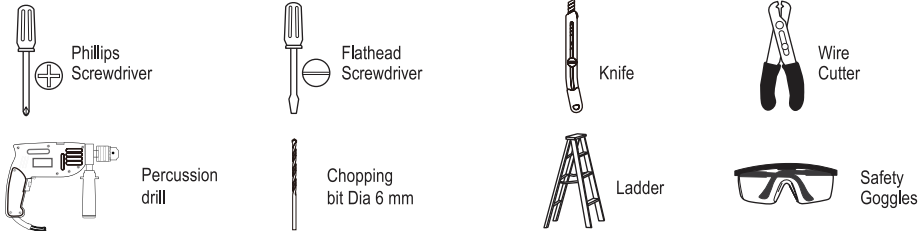
-Turn off the lamp before replacing the bulb and wait until the bulb has cooled. Take special care to touch the lamp when the lamp is lit. It can be hot.

Pre-Installation

PLANNING THE INSTALLATION

Read all instructions before assembly and installation. Before starting installation of the fixture or removal of a previous fixture, disconnect the power by turning off the circuit breaker or by removing the fuse at the fuse box. To avoid damaging this product, assemble it on a soft, non-abrasive surface such as carpet or cardboard.

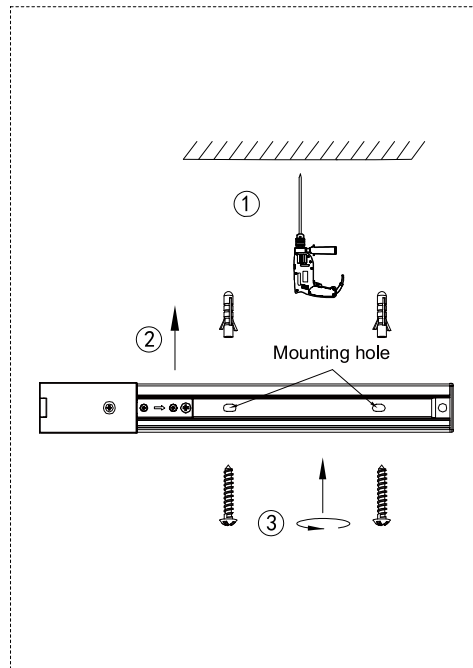
TOOLS REQUIRED



Installation (Make sure to turn off the main power)

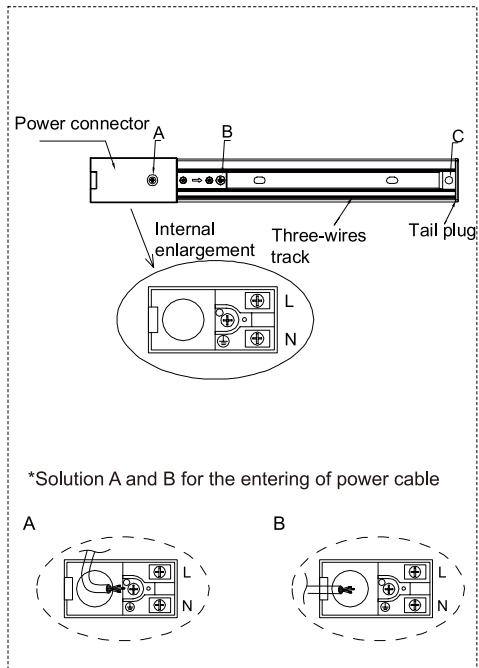
Step 1.

Drill holes in the installation plane according to the installation holes of the track, and fix the guide rail on the installation surface with the rubber plugs and self-tapping screws in the accessory kit;



Step 2.

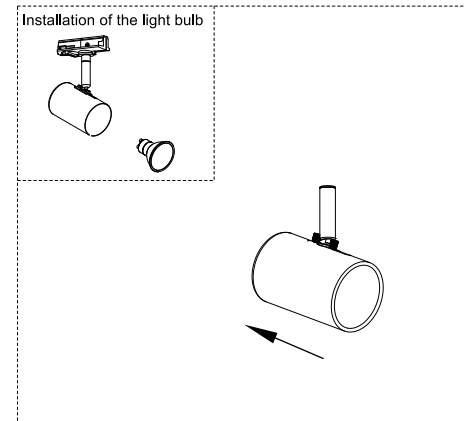
Remove screw A with a screwdriver, open the upper cover of the power connector, connect the mains to the rail power connector, confirm that the live wire (L), neutral wire (N) and ground wire (⊕) are connected reliably, then Reinstall the upper cover, and finally tighten the screws B and C.



Installation (continued)

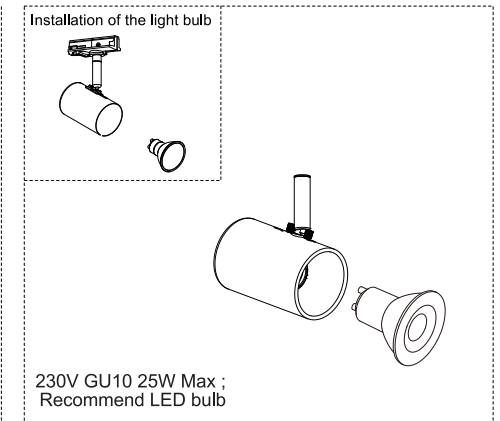
Step 3.

Push the cover of the spot head backward.



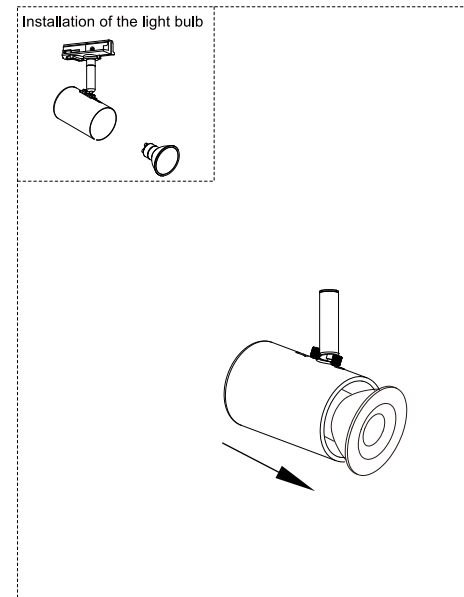
Step 4.

Install the recommended bulb.



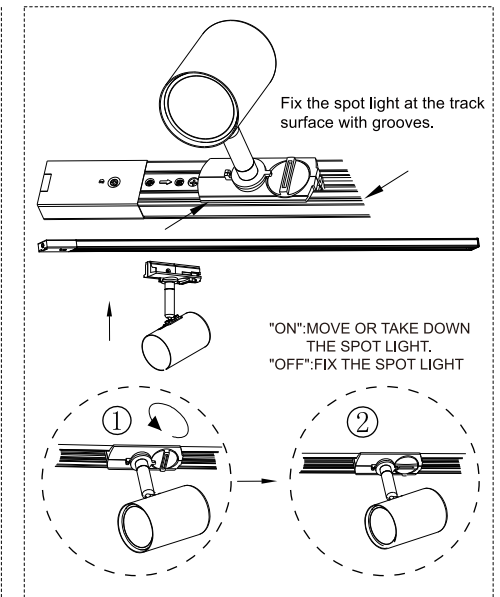
Step 5.

Pull back the cover of the spot head.



Step 6.

Install the light head into the track.



Operation

- Turn on power at the circuit breaker or fuse box.
- Turn the light switch on to activate the fixture.