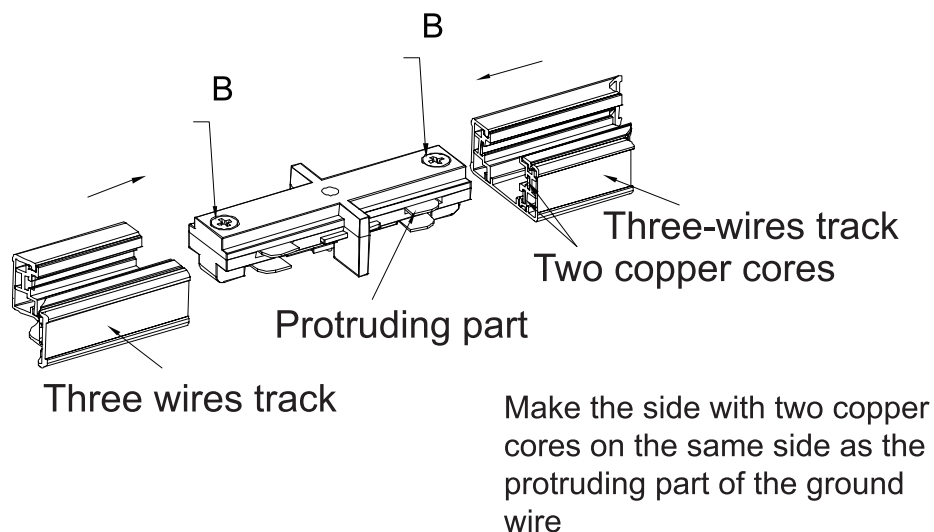


Three-wires Mini Straight Connector



Loosen the two screws B on the three-wire mini connector first, then insert the three-wire tracks into the connector in the direction of the arrow, and finally tighten the screws B