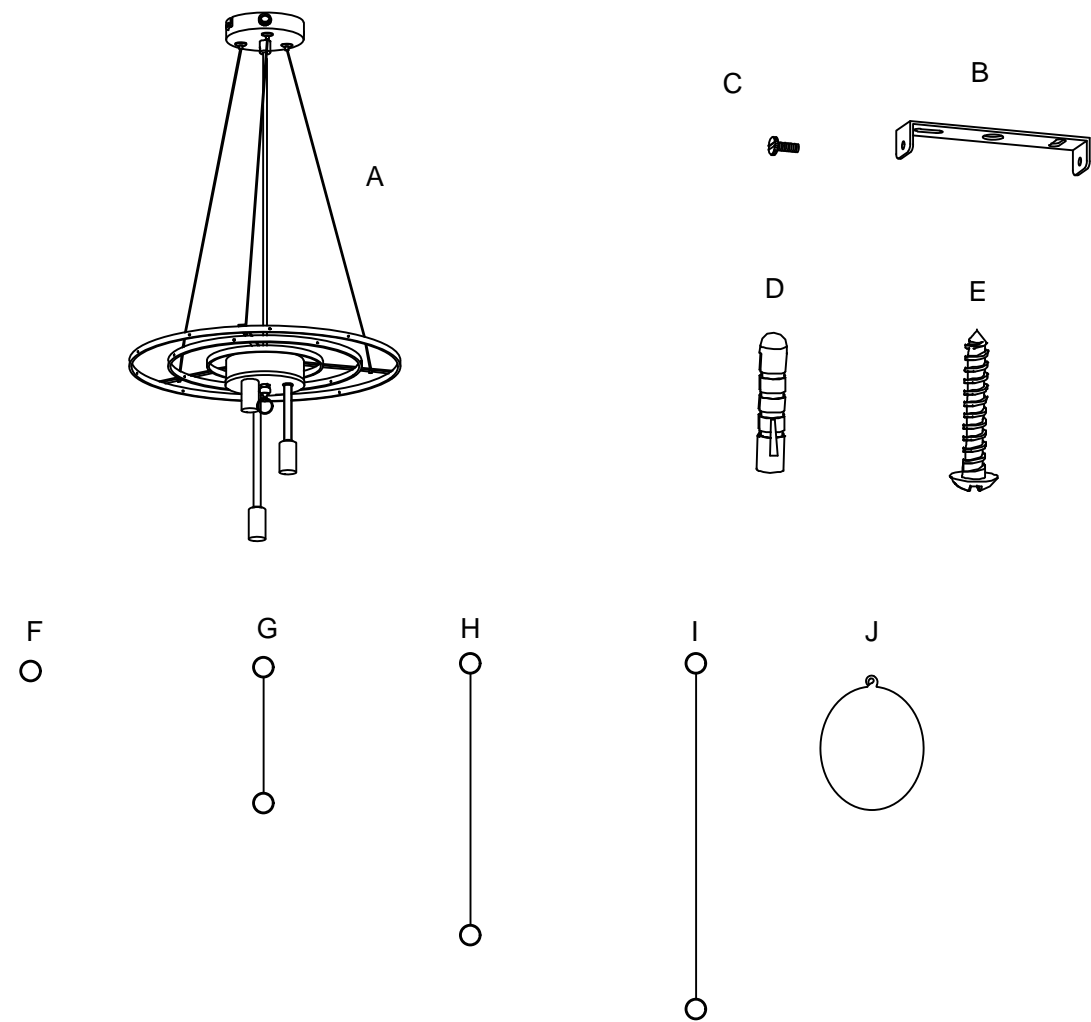


Package contents (parts are not to scale):



Part	Description	Quantity
A	Fixture body	1
B	Mounting bracket	1
C	Canopy screw	2
D	Self-Tapping screw	2
E	Wall expansion particle	2
F	Steel ring	36
G	Steel wire with steel ring	8
H	Steel wire with steel ring	5
I	Steel wire with steel ring	2
J	Glass ball	22

Care and Cleaning

EXTERIOR MAINTENANCE

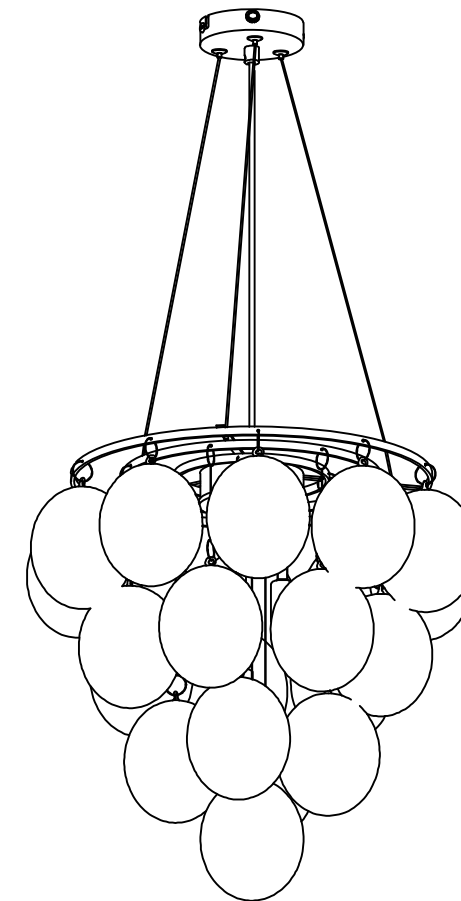
1. To clean the outside of the fixture, use a dry or slightly dampened clean cloth (use clean water, never a solvent) to wipe the surface of the fixture.
2. Do not use any cleaners with chemicals, solvents or harsh abrasives. Use only a dry soft cloth to dust or wipe carefully.

NOVA
EXCLUSIVE

INSTRUCTIONS MANUAL
for AMADEO

INTERIOR CHANDELIER

Art Nr. 54174-045-45/54175-045-71



www.lampehuset.no

CAUTION:

NO:

Advarsel:

-Bruk kun pærer som anvist etiketten på lampen.

-Slå av lampen før bytting av pære og vent til pæren er avkjølt. Vis forsiktighet ved berøring av lampen når den er tent. Den kan være varm.

SE:

Varning:

-Använd endast glödlampor enligt anvisningar på lampans etikett.

-Stäng av lampan innan du byter glödlampa och vänta tills lampan har svalnat. Var särskilt försiktig vid berøring av lampan när den är tänd. Det kan vara varmt.

English:

Warning:

-Only use bulbs as directed on the label on the lamp.

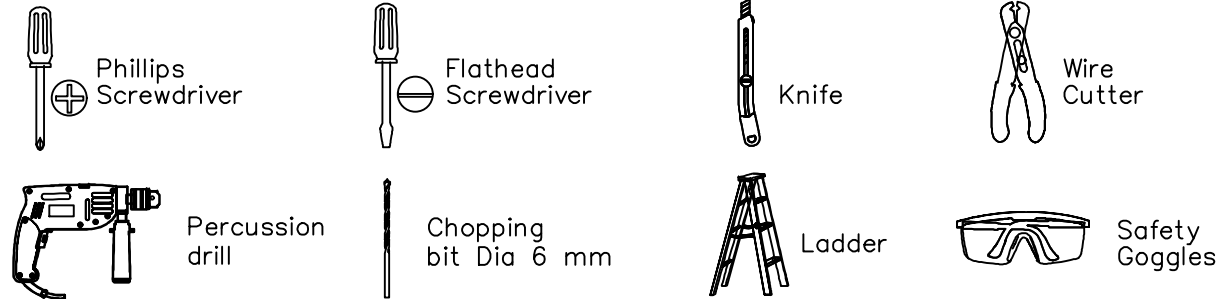
-Turn off the lamp before replacing the bulb and wait until the bulb has cooled. Take special care to touch the lamp when the lamp is lit. It can be hot.

Pre-Installation

PLANNING THE INSTALLATION

Read all instructions before assembly and installation. Before starting installation of the fixture or removal of a previous fixture, disconnect the power by turning off the circuit breaker or by removing the fuse at the fuse box. To avoid damaging this product, assemble it on a soft, non-abrasive surface such as carpet or cardboard.

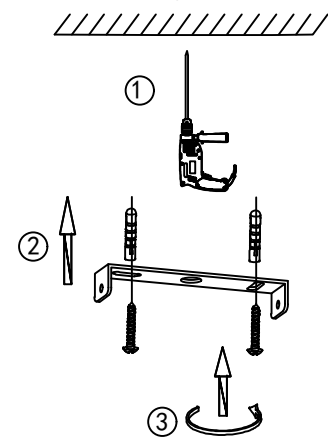
TOOLS REQUIRED



Installation

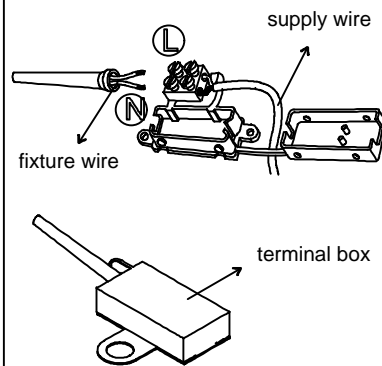
Step 1.

Mounting the bracket to ceiling as the drawing below:



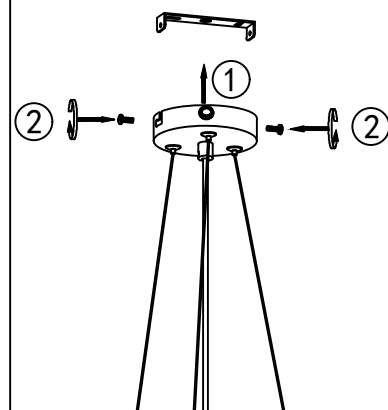
Step 2.

Connect the fixture wire to supply wire via the terminal box:



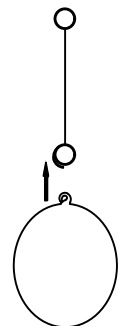
Step 3.

Hang up the fixture on the bracket as the drawing below:



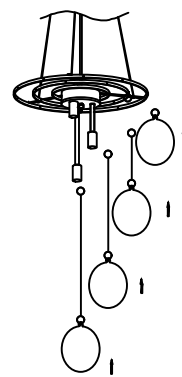
Step 4.

Connect the glass ball with the steel ring



Step 5.

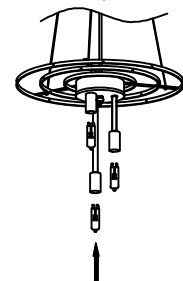
Hang up the glass ball to the fixture



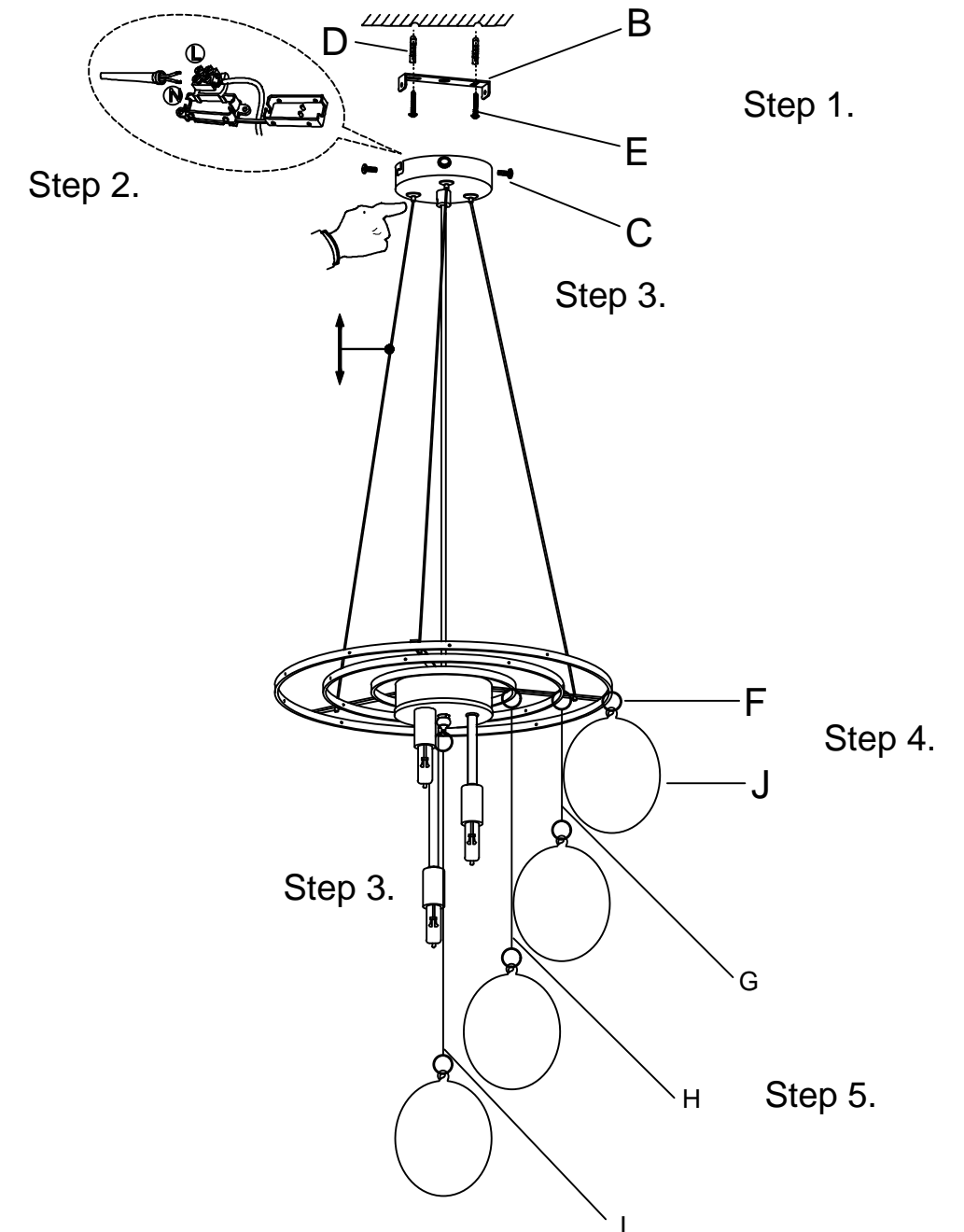
Step 6.

Put on the correct light bulbs:

Max 230V 23W;
Recommend
G9 bulb



Installation (continued)



Operation

- Turn on power at the circuit breaker or fuse box.
- Turn the light switch on to activate the fixture.