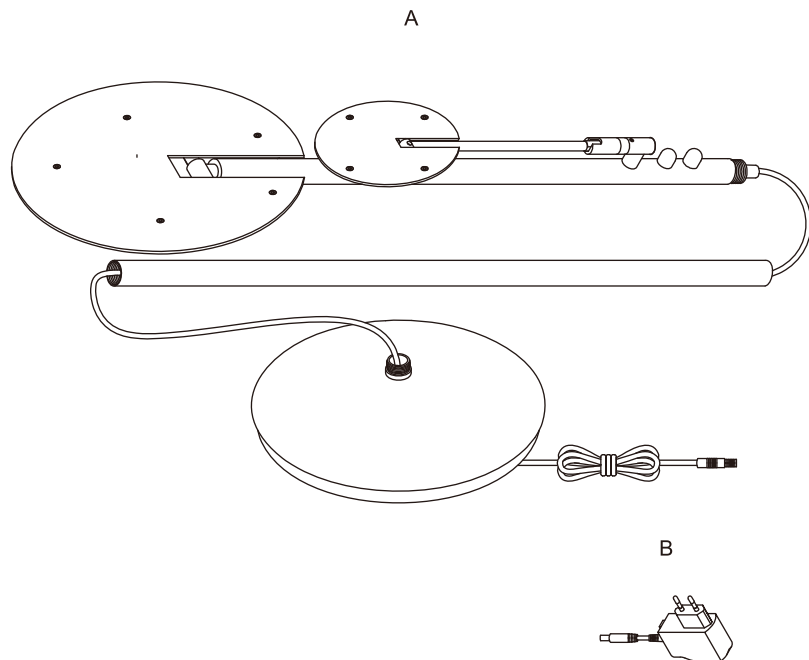


## Package contents (parts are not to scale):



Part	Description	Quantity
A	The fixture with wire	1
B	LED driver plug	1

## Light source

**Main Light: LED 18W 1697lm 3000K**

**Side Light: LED 5W 484lm 3000K**

**(LED driver plug warranty: 3 years)**

## Dimmer

**With dimmer on the lamp**

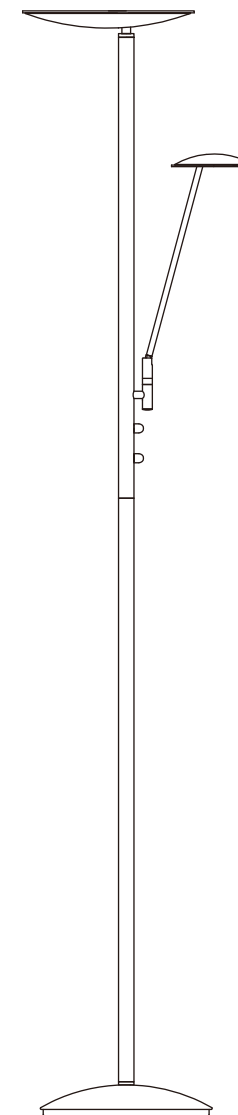
## Care and Cleaning

### EXTERIOR MAINTENANCE

1. To clean the outside of the fixture, use a dry or slightly dampened clean cloth (use clean water, never a solvent) to wipe the surface of the fixture.
2. Do not use any cleaners with chemicals, solvents or harsh abrasives. Use only a dry soft cloth to dust or wipe carefully.

## INTERIOR FLOOR LAMP

Art Nr. 34077-002-20,34082-002-71,34085-002-03



## Pre-Installation

### PLANNING THE INSTALLATION

Read all instructions before assembly and installation. Before starting installation of the fixture or removal of a previous fixture, disconnect the power by turning off the circuit breaker or by removing the fuse at the fuse box. To avoid damaging this product, assemble it on a soft, non-abrasive surface such as carpet or cardboard.

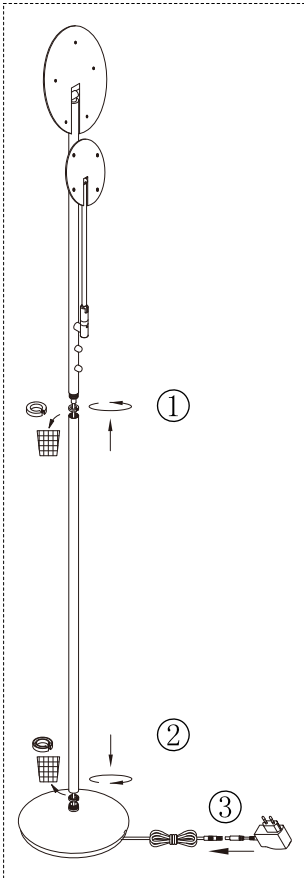
### TOOLS REQUIRED



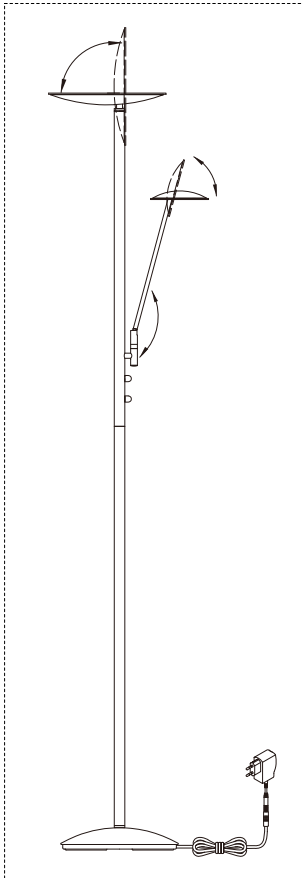
Knife

## Installation

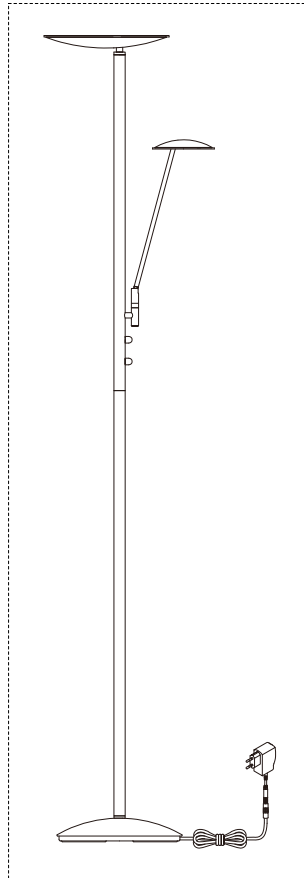
Step 1.



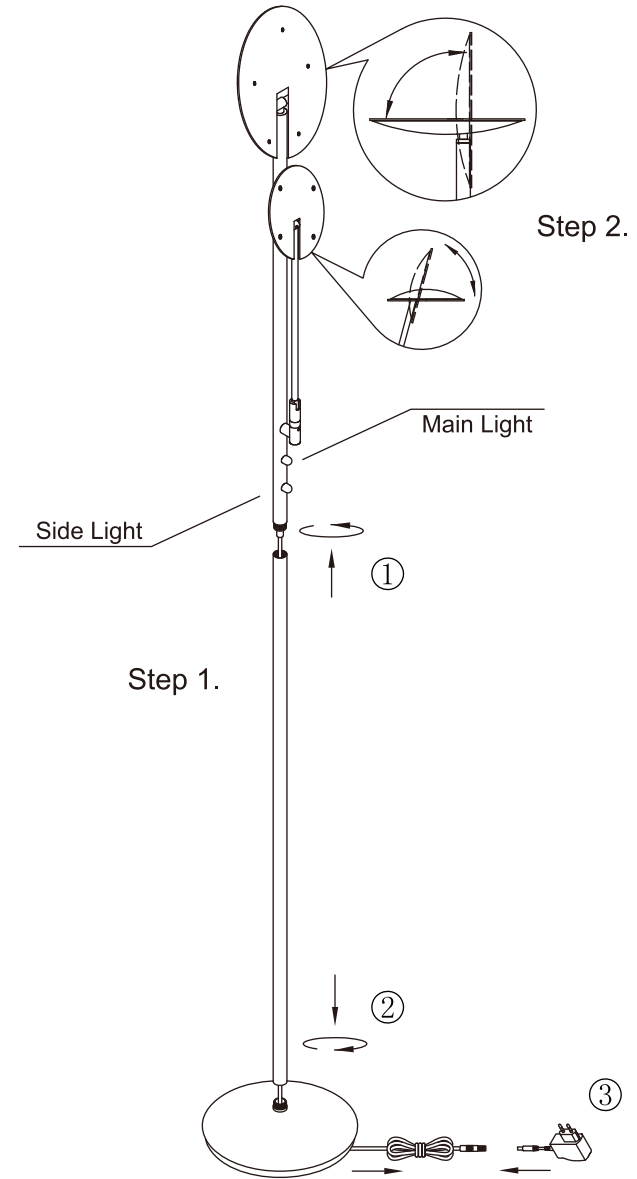
Step 2.



Step 3.



## Installation (continued)



## Operation

- Turn on power at the circuit breaker or fuse box.
- Turn the light switch on to activate the fixture.